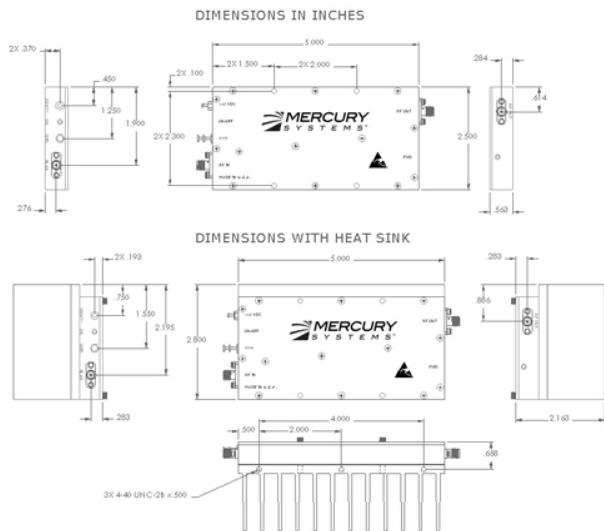


# SM04522-36

## 450 MHz to 2200 MHz

### POWER AMPLIFIERS



## Specifications

	Min	Typ	Max	Unit
RF Frequency	450		2200	MHz
P1dB Power Output	35	36		dBm
Linear Gain		35 ±1		dB
Gain Flatness Over Band		±1.5		dB
Gain Change Over Temp		±1		dB
Third Order Intercept (OIP3)		48		dB
Input Return Loss			-16	dB

## Operating Characteristics

	Min	Typ	Max	Unit
Supply Voltage	11	12	13	VDC
Operating Current Draw		1.9	2	A

## Pin Table

Pin	Value	Description

## Notes

## Featured and Options

- Options:  
 TTL on/off  
 Fan  
 Heatsink  
 Features:

## Environmental Ratings

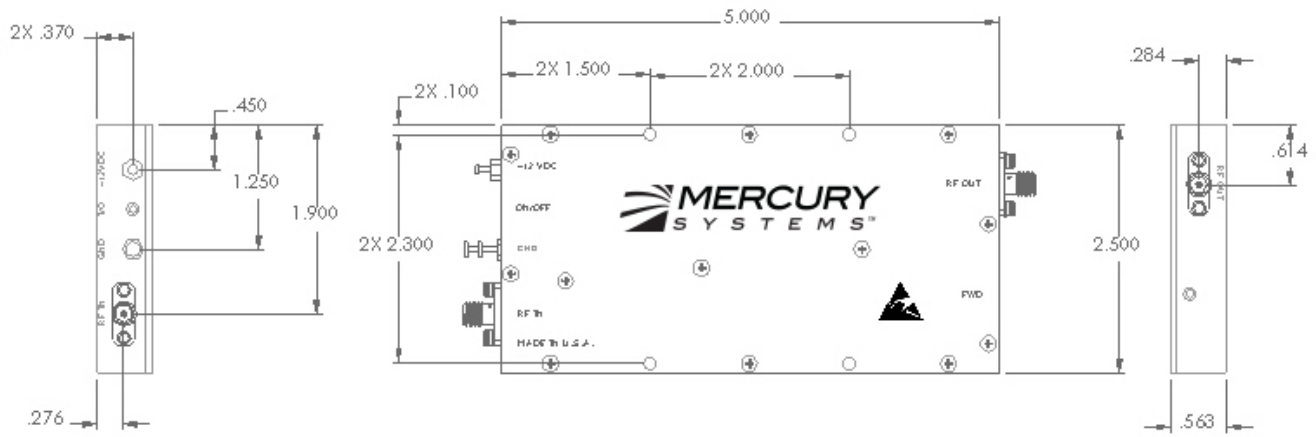
	Min	Typ	Max	Unit
Storage Temperature	-40		85	°C
Operating Temperature	-20		85	°C
Automatic Shut Off Temp		90		°C
Operating Humidity		95%		
Operating Altitude		30000		Ft

## Connectivity

RF Input Connector	SMA F
RF Output Connector	SMA F
Control/Monitoring Connector	Feedthrough Pins



## DIMENSIONS IN INCHES



## DIMENSIONS WITH HEAT SINK

