

SPEC SHEET

# SM2325-50L

## 2300 MHz to 2500 MHz

### POWER AMPLIFIERS



### Specifications

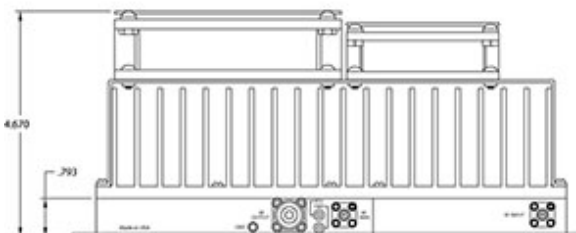
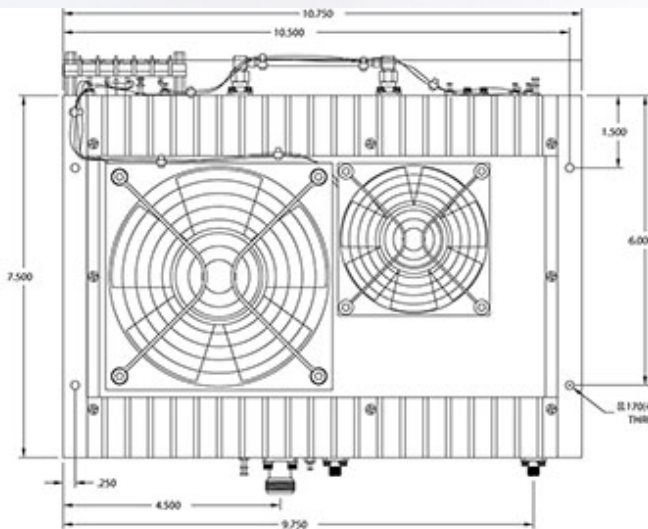
	Min	Typ	Max	Unit
RF Frequency	2300		2500	MHz
P1dB Power Output		50		dBm
Linear Gain		59 ±1		dB
Gain Flatness Over Band		±1		dB
Gain Change Over Temp		±1		dB
Third Order Intercept (OIP3)		68		dBm
Input Return Loss			-14	dB
Output Return Loss			-14	dB

### Operating Characteristics

	Min	Typ	Max	Unit
Supply Voltage		12		VDC
Operating Current Draw		31		A

### Pin Table

Pin	Value	Description
RF Input	- 9 dBm, typical	Input Connector (SMA Female)
RF OUTPUT	+ 50 dBm @ P1dB	Output Connector (N-Type Female)
RF SAMPLE	30 dB	Sample RF Port ( SMA Female )
GND	---	Ground Turret
REV	? VSWR @ + 50 dBm ? + 5.5 Volts	Reverse Power Detector
FWD	+ 50 dBm Output Power ? + 5.5 Volts	Forward Power Detector
+12VDC	+ 12 Volts @ 31 Amperes (typ.)	DC Input Voltage
On/Off	0 Volts = Off, +5 Volts = On	TTL Logic On/Off



### Notes

### Featured and Options

- Options:
- TTL on/off
- Fan
- Heatsink
- Features:
- Over Voltage Protection
- Reverse Voltage Protection

Thermal Monitor  
Forward Power Detection

## Environmental Ratings

	Min	Typ	Max	Unit
Operating Temperature	0		55	°C
Operating Humidity		95%		
Operating Altitude		10000		Ft

## Connectivity

RF Input Connector	SMA F
RF Output Connector	N-Type F



Microwave RF Components | Hudson, NH | (603) 546-4100 | [rf.mrcy.com](http://rf.mrcy.com)  
Specifications subject to change without notice

[Request a Quote](#) | [Ask an Engineer](#)  

