

SPEC SHEET

SM2527-50L

2500 MHz to 2700 MHz

POWER AMPLIFIERS



Specifications

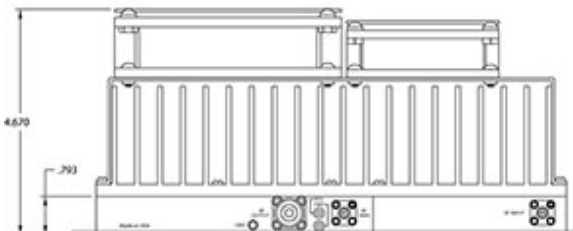
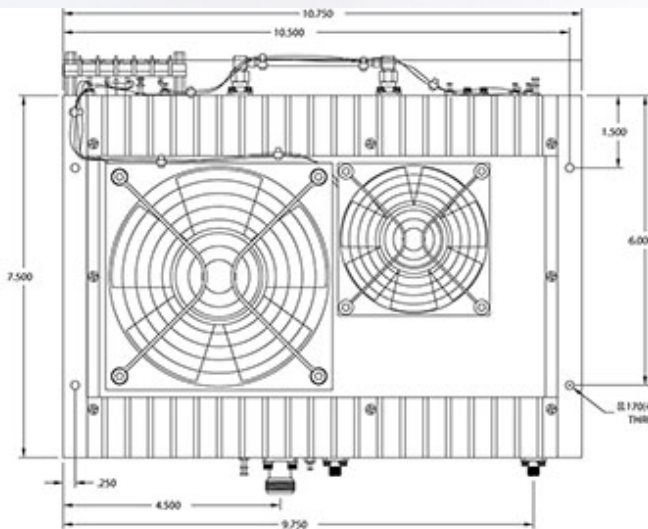
	Min	Typ	Max	Unit
RF Frequency	2500		2700	MHz
P1dB Power Output		50		dBm
Linear Gain		59 ±1		dB
Gain Flatness Over Band		±1		dB
Gain Change Over Temp		±1		dB
Third Order Intercept (OIP3)		68		dBm
Input Return Loss			-14	dB
Output Return Loss			-14	dB

Operating Characteristics

	Min	Typ	Max	Unit
Supply Voltage		12		VDC
Operating Current Draw		31		A

Pin Table

Pin	Value	Description
RF Input	- 9 dBm, typical	Input Connector (SMA Female)
RF OUTPUT	+ 50 dBm @ P1dB	Output Connector (N-Type Female)
RF SAMPLE	30 dB	Sample RF Port (SMA Female)
GND	---	Ground Turret
REV	? VSWR @ + 50 dBm ? + 5.5 Volts	Reverse Power Detector
FWD	+ 50 dBm Output Power ? + 5.5 Volts	Forward Power Detector
+12VDC	+ 12 Volts @ 31 Amperes (typ.)	DC Input Voltage
On/Off	0 Volts = Off, +5 Volts = On	TTL Logic On/Off



Featured and Options

- Options:
 TTL on/off
 Fan
 Heatsink
 Features:
 Over Voltage Protection
 Reverse Voltage Protection

Notes

Thermal Monitor
Forward Power Detection

Environmental Ratings

	Min	Typ	Max	Unit
Operating Temperature	0		55	°C
Operating Humidity		95%		
Operating Altitude		10000		Ft

Connectivity

RF Input Connector	SMA F
RF Output Connector	N-Type F



Microwave RF Components | Hudson, NH | (603) 546-4100 | rf.mrcy.com
Specifications subject to change without notice

[Request a Quote](#) | [Ask an Engineer](#)  

