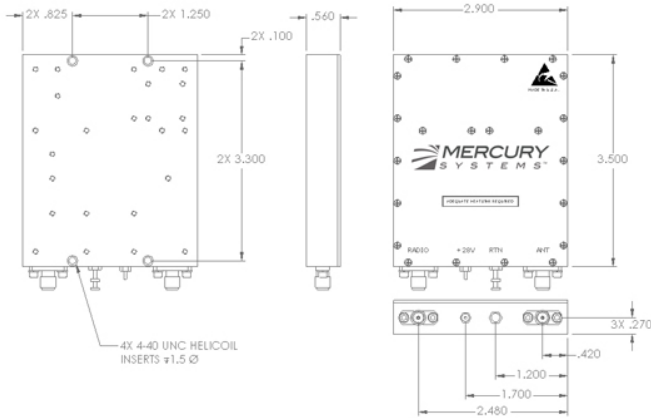


SPEC SHEET

# SMTR2425-11B40-2

## 2400 MHz to 2500 MHz

### POWER AMPLIFIERS



### Specifications

	Min	Typ	Max	Unit
RF Frequency	2400		2500	MHz
P1dB Power Output	33	40		dBm
Linear Gain		25 ±1		dB
Gain Flatness Over Band		±1		dB
Gain Change Over Temp		±1		dB
Third Order Intercept (OIP3)		N/A		dBm
Input Return Loss			-14	dB
Output Return Loss			-14	dB

### Operating Characteristics

	Min	Typ	Max	Unit
Supply Voltage	27	28	29	VDC

### Featured and Options

Options:  
Features:

### Environmental Ratings

	Min	Typ	Max	Unit
Operating Temperature	-20		65	°C

### Connectivity

RF Input Connector	SMA F
RF Output Connector	SMA F

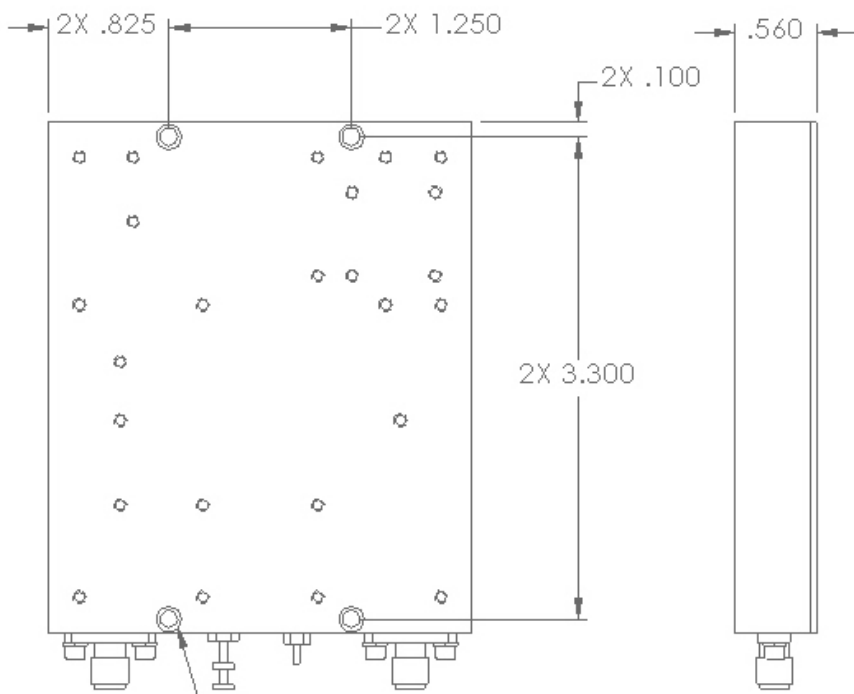
### Pin Table

Pin	Value	Description
RADIO	+ 15 dBm (typ.)	Input Connector (N Female)
ANT	+40 dBm burst power (802.11b 11Mbps)   +33 dBm burst power (802.11g 54Mbps)	Antenna Connector (N Female)
VDC	+28VDC	DC Connector (Filter Feedthru)
GND	---	Ground Lug

### Notes



Microwave RF Components | Hudson, NH | (603) 546-4100 | [rf.mrcy.com](http://rf.mrcy.com)  
Specifications subject to change without notice



4X 4-40 UNC HELICOIL  
INSERTS  $\varnothing 1.5$

