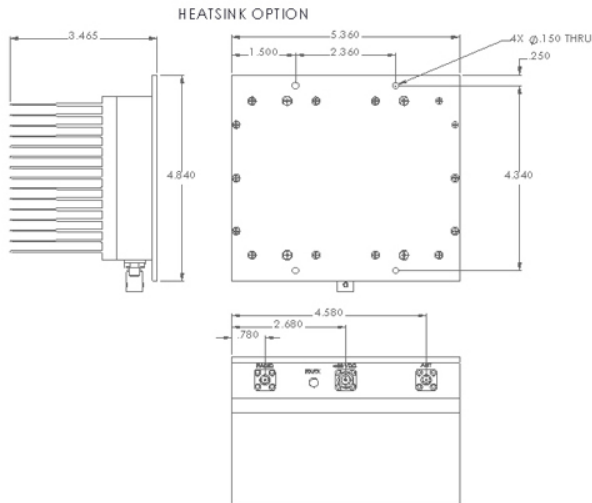
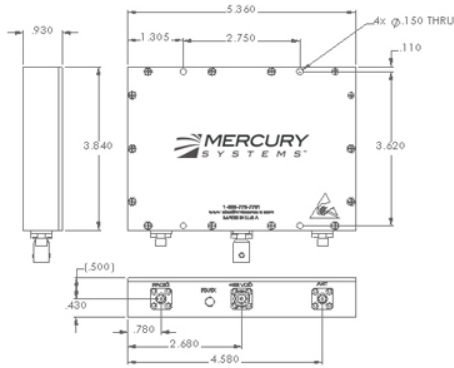


# SMTR2425-11G38

## 2400 MHz to 2500 MHz

### POWER AMPLIFIERS



## Specifications

	Min	Typ	Max	Unit
RF Frequency	2400		2500	MHz
Linear Power Output		38		dBm
P1dB Power Output	39	40		dBm
Linear Gain		26 $\pm$ 1		dB
Gain Flatness Over Band		$\pm$ 0.75		dB
Gain Change Over Temp		$\pm$ 1		dB
Third Order Intercept (OIP3)		N/A		
Input Return Loss			-16	dB

## Operating Characteristics

	Min	Typ	Max	Unit
Supply Voltage	26	28	30	VDC
Operating Current Draw		2	2.1	A

## Pin Table

Pin	Value	Description

## Notes

## Featured and Options

- Options:  
 TTL on/off  
 Fan  
 Heatsink
- Features:

## Environmental Ratings

	Min	Typ	Max	Unit
Storage Temperature	-40		85	$^{\circ}$ C
Operating Temperature	-20		85	$^{\circ}$ C
Automatic Shut Off Temp		90		$^{\circ}$ C
Operating Humidity		95%		
Operating Altitude		30000		Ft

## Connectivity

RF Input Connector	SMA F
RF Output Connector	SMA F
Control/Monitoring Connector	Feedthrough Pins



Microwave RF Components | Hudson, NH | (603) 546-4100 | [rf.mrcy.com](http://rf.mrcy.com)  
Specifications subject to change without notice

[Request a Quote](#) | [Ask an Engineer](#)  