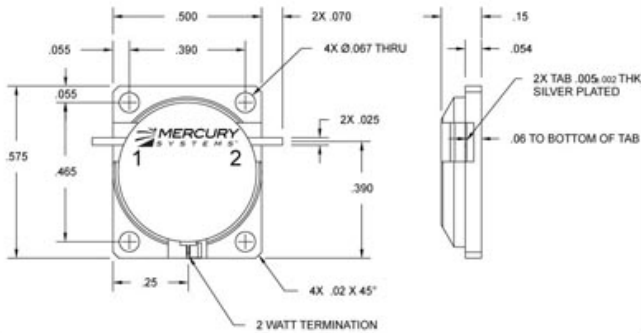


SPEC SHEET

# DCF1300-T0520

## 5.8 GHz to 6.5 GHz

DCF Drop-in ISOLATORS & CIRCULATORS



### Specifications

RF Frequency	5.8 GHz to 6.5 GHz
Isolation	20 dB (min)
Insertion Loss	0.4 dB (max)
VSWR	1.25:1
Peak Power	100 Watts (max)
Average Power	10 Watts (max)
Power Forward	35 Watts
Power Reverse	2 Watts
Package Size	0.50 x 0.575 x 0.15"

### Environmental

Operating Temperature	-40 to 85 °C
-----------------------	--------------

### Notes



Microwave RF Components | Manteca, CAL | 1-209-825-3977 | [rf.mrcy.com](http://rf.mrcy.com)  
Specifications subject to change without notice

