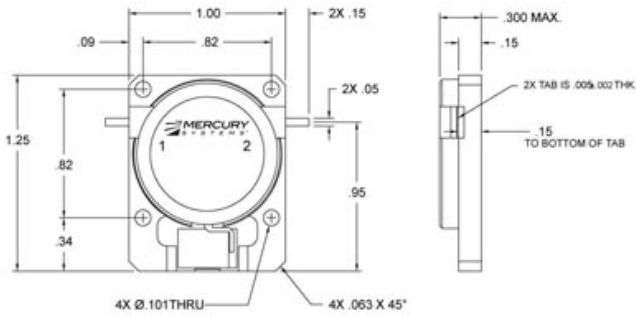


# DCF2540-T0120

## 1.4 GHz to 1.6 GHz

DCF Drop-in ISOLATORS & CIRCULATORS



### Specifications

RF Frequency	1.4 GHz to 1.6 GHz
Isolation	20 dB (min)
Insertion Loss	0.4 dB (max)
VSWR	1.25:1
Peak Power	1000 Watts (max)
Average Power	100 Watts (max)
Power Forward	150 Watts
Power Reverse	65 Watts
Package Size	1.00 x 1.25 x 0.30"

### Environmental

Operating Temperature	-20 to 85 °C
-----------------------	--------------

### Notes



