

SPEC SHEET

# DNF1300-T0615

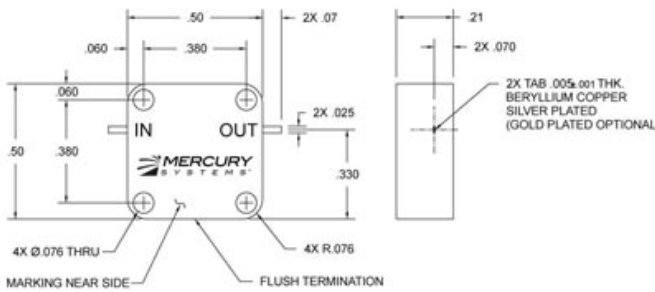
## 6.4 GHz to 7.1 GHz

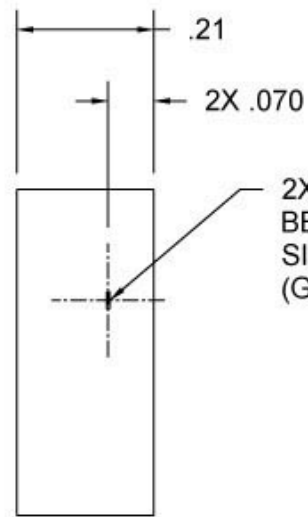
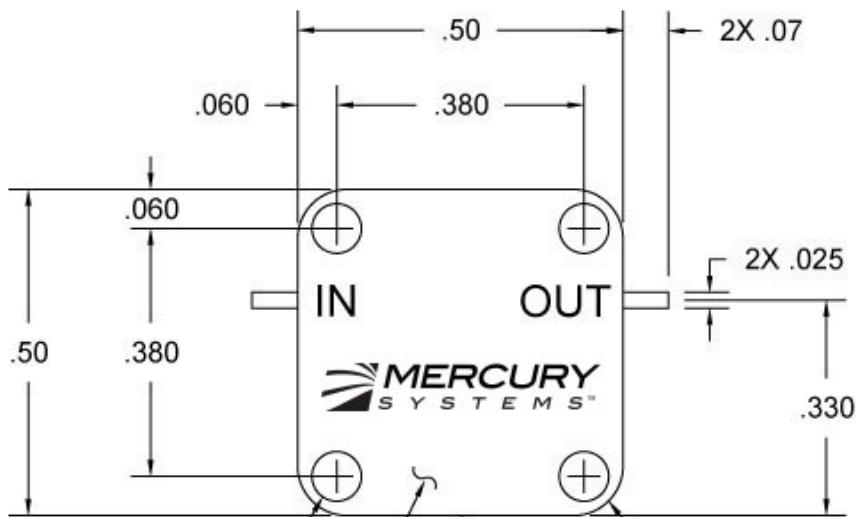
DNF Drop-in ISOLATORS & CIRCULATORS

### Specifications

RF Frequency	6.4 GHz to 7.1 GHz
Isolation	20 dB (min)
Insertion Loss	0.5 dB (max)
VSWR	1.25:1
Peak Power	50 Watts (max)
Average Power	5 Watts (max)
Package Size	0.50 x 0.50 x 0.21"

### Environmental Notes





2X TAB .005±.001 THK.  
 BERYLLIUM COPPER  
 SILVER PLATED  
 (GOLD PLATED OPTIONAL)

4X Ø.076 THRU

4X R.076

MARKING NEAR SIDE

FLUSH TERMINATION