

SPEC SHEET

# DNF1300-T0720

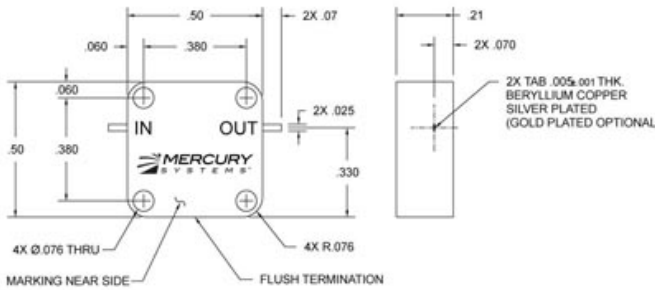
## 7.8 GHz to 8.501 GHz

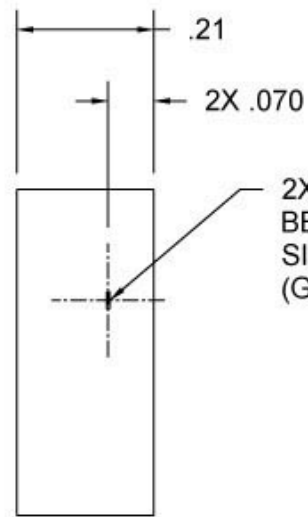
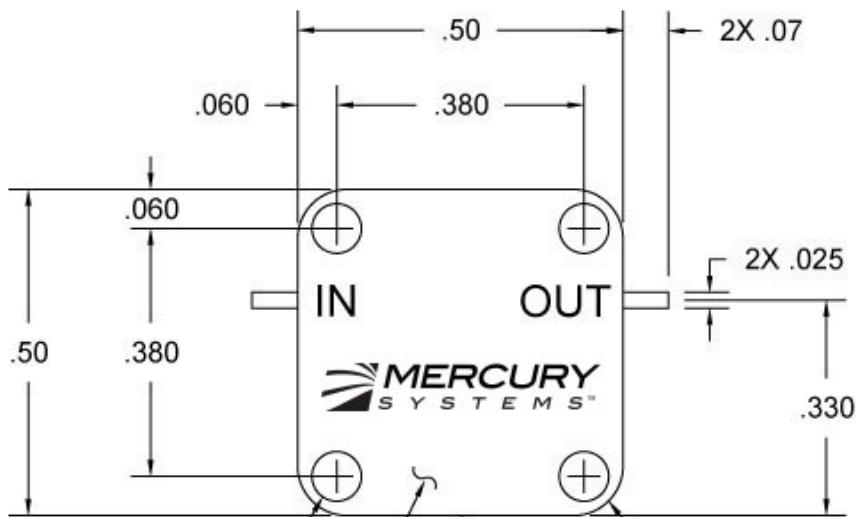
### DNF Drop-in ISOLATORS & CIRCULATORS

### Specifications

RF Frequency	7.8 GHz to 8.501 GHz
Isolation	23 dB (min)
Insertion Loss	0.4 dB (max)
VSWR	1.15:1
Peak Power	50 Watts (max)
Average Power	5 Watts (max)
Package Size	0.50 x 0.50 x 0.21"

### Environmental Notes





2X TAB .005±.001 THK.  
 BERYLLIUM COPPER  
 SILVER PLATED  
 (GOLD PLATED OPTIONAL)

4X Ø.076 THRU

4X R.076

MARKING NEAR SIDE

FLUSH TERMINATION