

SPEC SHEET

DNF1300-T0829

8 GHz to 18 GHz

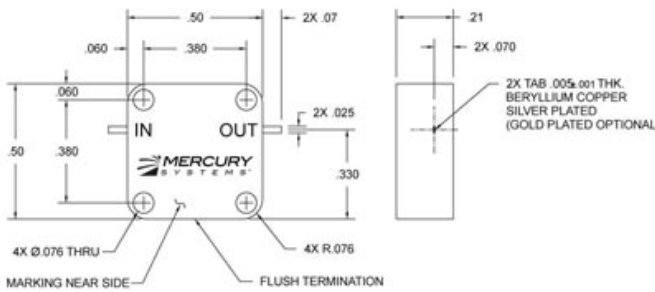
DNF Drop-in ISOLATORS & CIRCULATORS

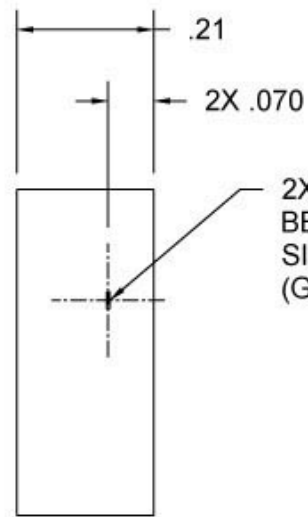
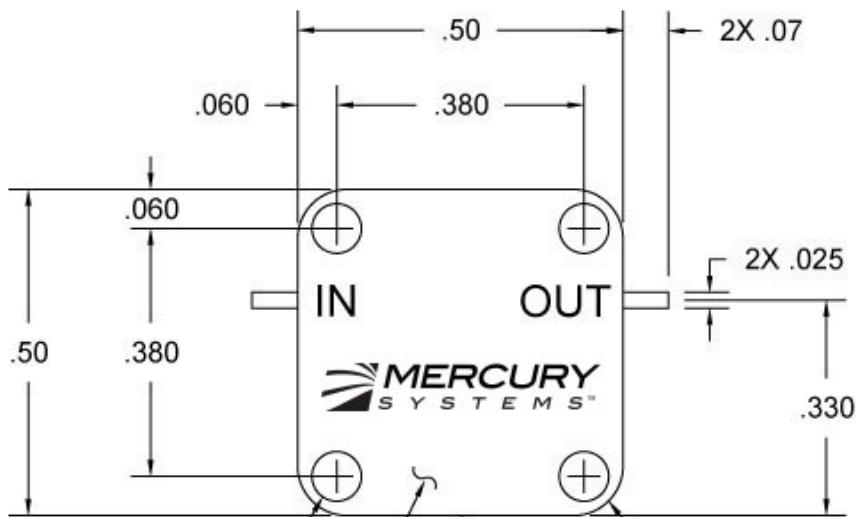


Specifications

RF Frequency	8 GHz to 18 GHz
Isolation	15 dB (min)
Insertion Loss	1 dB (max)
VSWR	1.5:1
Peak Power	20 Watts (max)
Average Power	6 Watts (max)
Power Forward	6 Watts
Power Reverse	2 Watts
Package Size	0.50 x 0.50 x 0.21"

Environmental Notes





2X TAB .005±.001 THK.
 BERYLLIUM COPPER
 SILVER PLATED
 (GOLD PLATED OPTIONAL)

4X Ø.076 THRU

4X R.076

MARKING NEAR SIDE

FLUSH TERMINATION