

SPEC SHEET

DNF1300-T1400

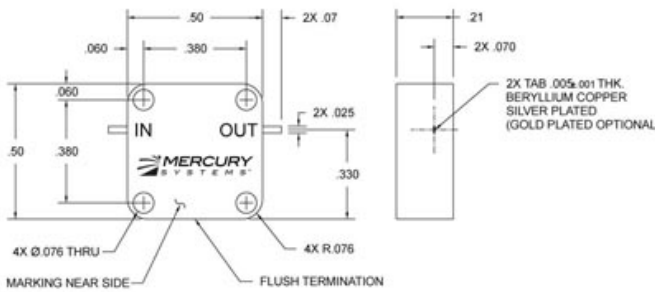
14 GHz to 14.501 GHz

DNF Drop-in ISOLATORS & CIRCULATORS

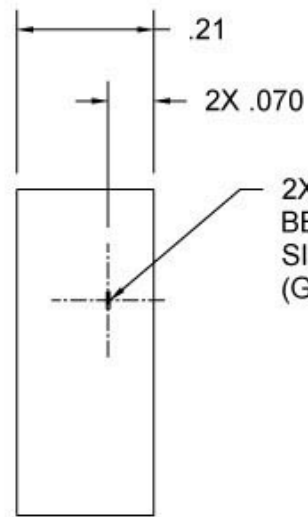
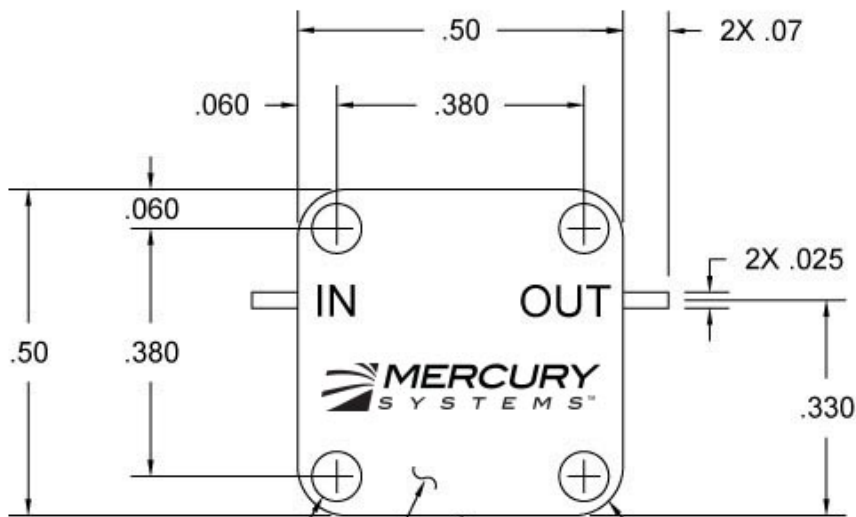
Specifications

RF Frequency	14 GHz to 14.501 GHz
Isolation	20 dB (min)
Insertion Loss	0.6 dB (max)
VSWR	1.25:1
Peak Power	20 Watts (max)
Average Power	5 Watts (max)
Package Size	0.50 x 0.50 x 0.21"

Environmental Notes



Microwave RF Components | Manteca, CAL | 1-209-825-3977 | rf.mrcy.com
 Specifications subject to change without notice



2X TAB .005±.001 THK.
 BERYLLIUM COPPER
 SILVER PLATED
 (GOLD PLATED OPTIONAL)

4X Ø.076 THRU

4X R.076

MARKING NEAR SIDE

FLUSH TERMINATION