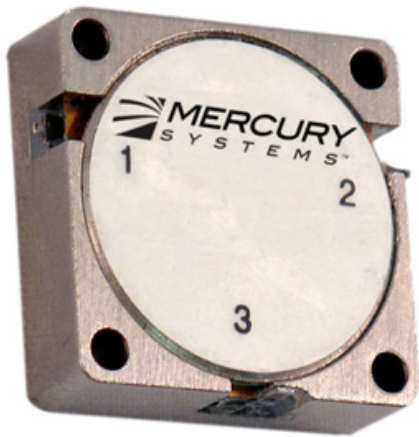


SPEC SHEET

# DNF2540-T0030

## 0.79 GHz to 0.861 GHz

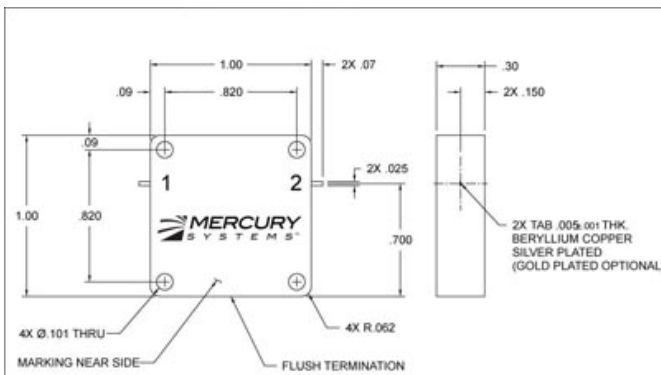
### DNF Drop-in ISOLATORS & CIRCULATORS

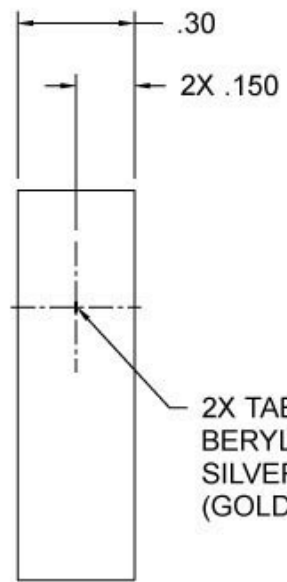
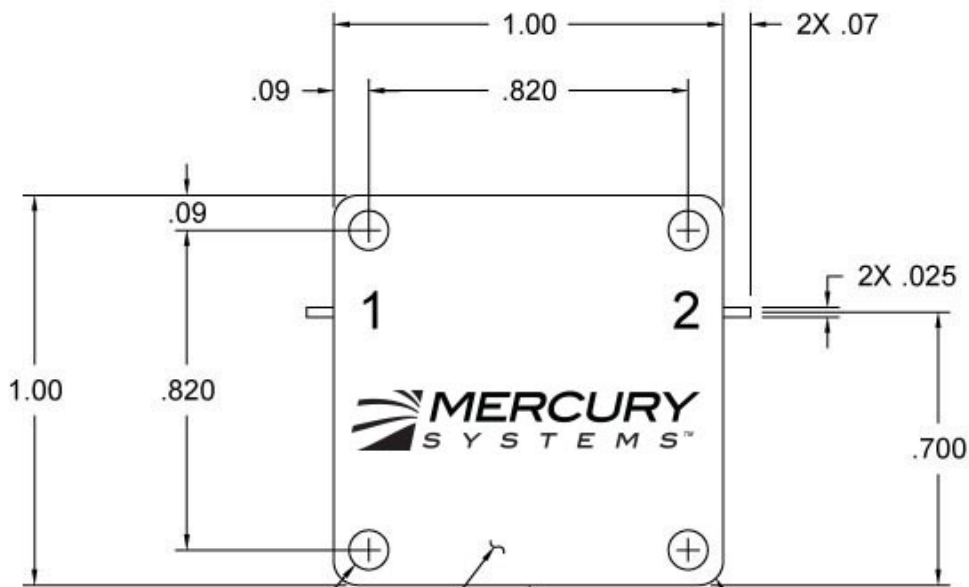


### Specifications

RF Frequency	0.79 GHz to 0.861 GHz
Isolation	18 dB (min)
Insertion Loss	0.5 dB (max)
VSWR	1.3:1
Peak Power	1 Watts (max)
Average Power	100 Watts (max)
Package Size	1.00 x 1.00 x 0.30"

### Environmental Notes





2X TAB .005-.001 THK.  
 BERYLLIUM COPPER  
 SILVER PLATED  
 (GOLD PLATED OPTIONAL)

4X Ø.101 THRU

MARKING NEAR SIDE

4X R.062

FLUSH TERMINATION

**MERCURY**  
 SYSTEMS™