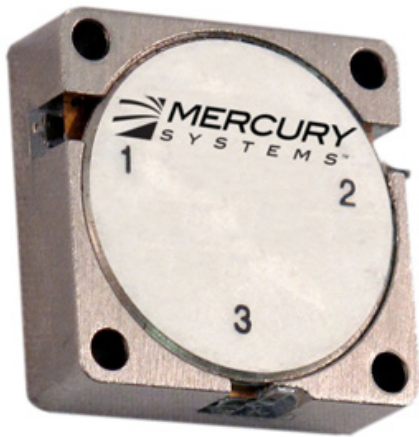


SPEC SHEET

# DNF2540-T0101

## 1.6 GHz to 1.9 GHz

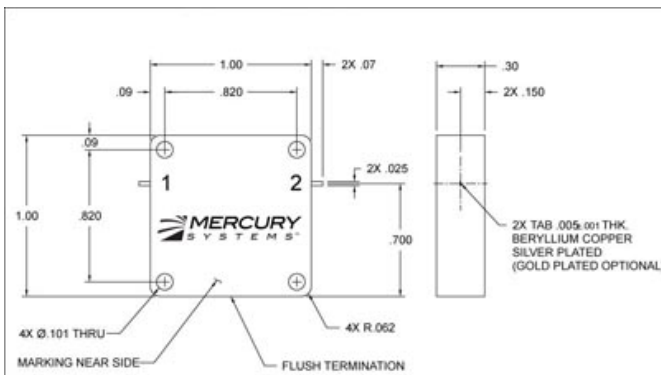
DNF Drop-in ISOLATORS & CIRCULATORS

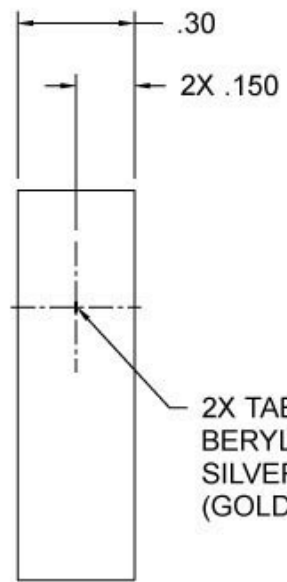
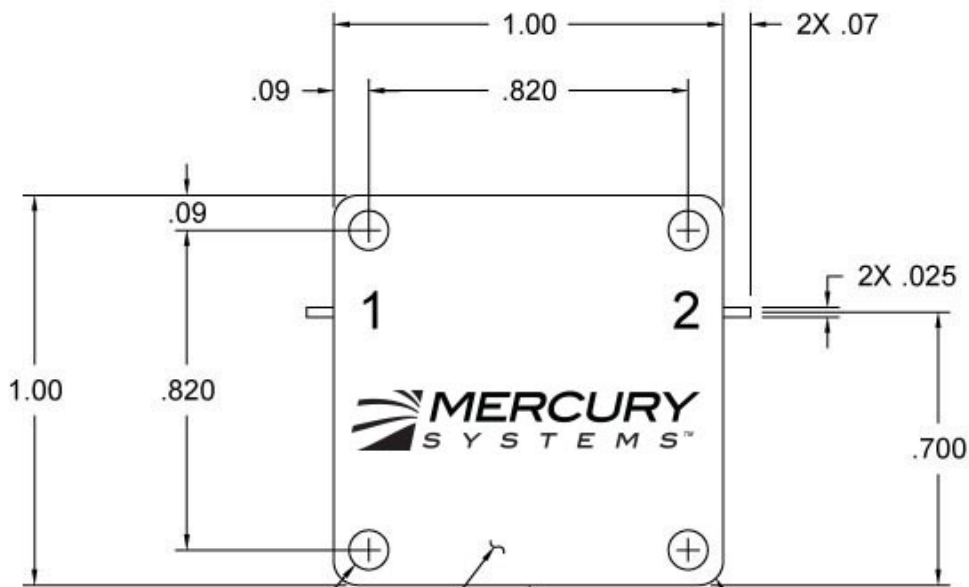


### Specifications

RF Frequency	1.6 GHz to 1.9 GHz
Isolation	17 dB (min)
Insertion Loss	0.6 dB (max)
VSWR	1.35:1
Peak Power	1 Watts (max)
Average Power	100 Watts (max)
Package Size	1.00 x 1.00 x 0.30"

### Environmental Notes





4X Ø.101 THRU

MARKING NEAR SIDE

FLUSH TERMINATION

4X R.062

2X TAB .005-.001 THK.  
BERYLLIUM COPPER  
SILVER PLATED  
(GOLD PLATED OPTIONAL)