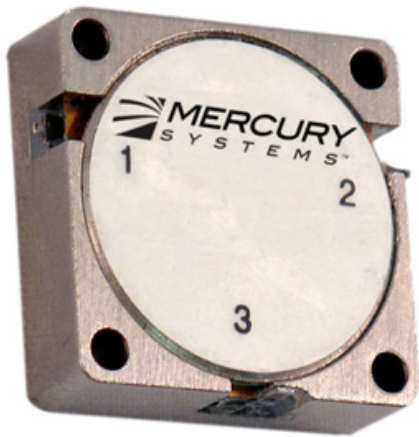


SPEC SHEET

DNF2540-T0120

1.5 GHz to 1.701 GHz

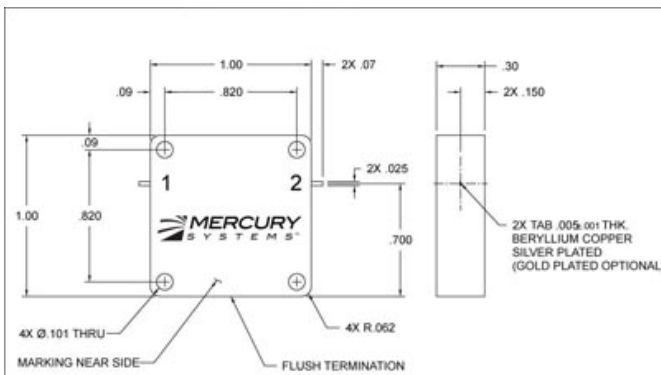
DNF Drop-in ISOLATORS & CIRCULATORS

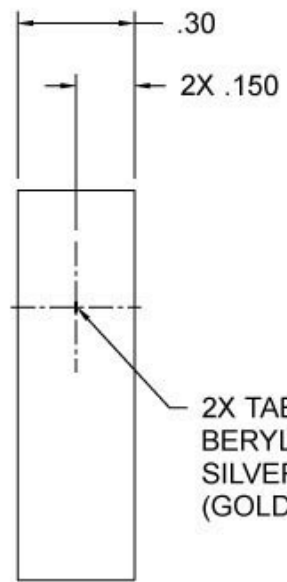
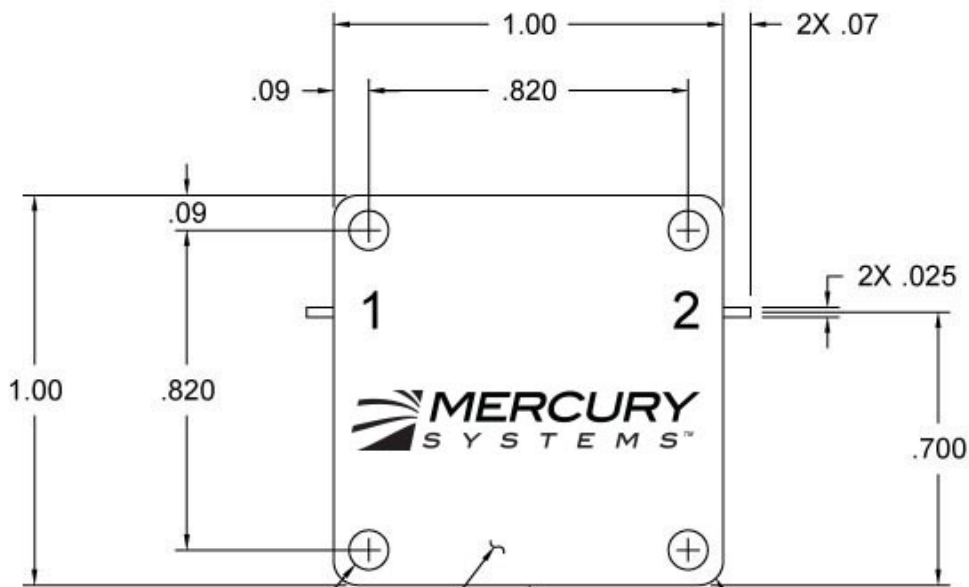


Specifications

RF Frequency	1.5 GHz to 1.701 GHz
Isolation	20 dB (min)
Insertion Loss	0.4 dB (max)
VSWR	1.25:1
Peak Power	1 Watts (max)
Average Power	100 Watts (max)
Package Size	1.00 x 1.00 x 0.30"

Environmental Notes





2X TAB .005-.001 THK.
 BERYLLIUM COPPER
 SILVER PLATED
 (GOLD PLATED OPTIONAL)

4X Ø.101 THRU

4X R.062

MARKING NEAR SIDE

FLUSH TERMINATION