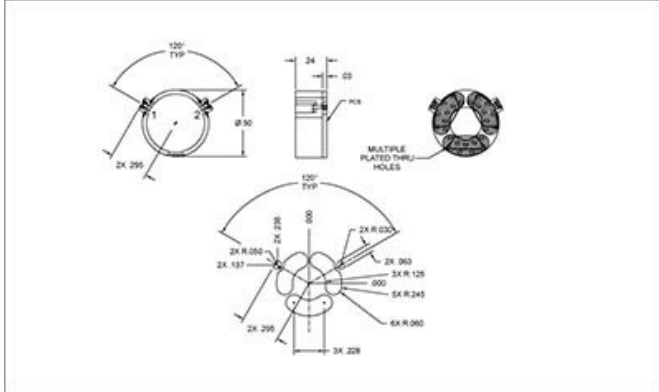


SPEC SHEET

SMD1300-T0470

4.4 GHz to 5 GHz

Stripline ISOLATORS & CIRCULATORS



Specifications

| | |
|----------------|------------------|
| RF Frequency | 4.4 GHz to 5 GHz |
| Isolation | 20 dB (min) |
| Insertion Loss | 0.5 dB (max) |
| VSWR | 1.25:1 |
| Power Forward | 5 Watts |
| Power Reverse | 1 Watts |
| Package Size | 0.5" |

Environmental

| | |
|-----------------------|--------------|
| Operating Temperature | -35 to 85 °C |
|-----------------------|--------------|

Notes



Microwave RF Components | Manteca, CAL | 1-209-825-3977 | rf.mrcy.com
Specifications subject to change without notice

