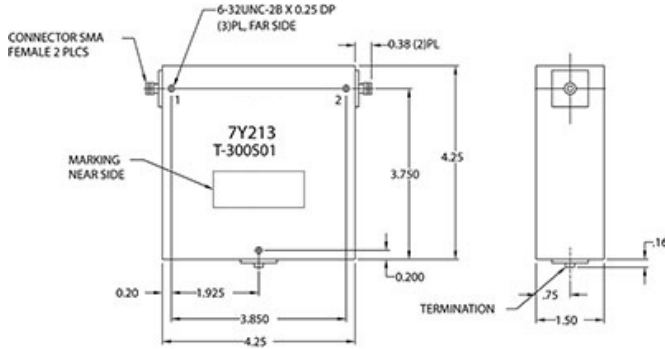


SPEC SHEET

T-100S01

0.15 GHz to 0.175 GHz

Communication Band Coaxial ISOLATORS & CIRCULATORS



Specifications

RF Frequency	0.15 GHz to 0.175 GHz
Isolation	18 dB (min)
Insertion Loss	0.7 dB (max)
VSWR	1.3:1
Peak Power	1000 Watts (max)
Average Power	100 Watts (max)
Package Size	4.25 x 4.25 x 1.50"

Environmental Notes



Microwave RF Components | Manteca, CAL | 1-209-825-3977 | rf.mrcy.com
 Specifications subject to change without notice

