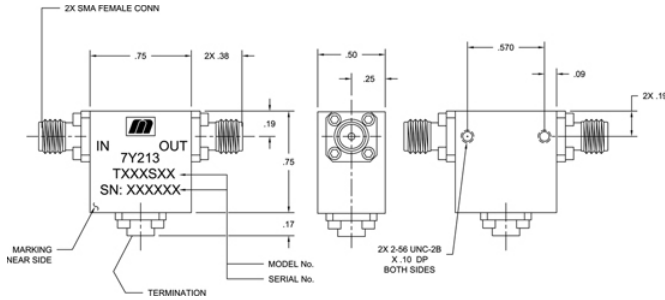


SPEC SHEET

T-104S04

4.6 GHz to 5.4 GHz

Communication Band Coaxial ISOLATORS & CIRCULATORS



Specifications

RF Frequency	4.6 GHz to 5.4 GHz
Isolation	25 dB (min)
Insertion Loss	0.25 dB (max)
VSWR	1.15:1
Peak Power	100 Watts (max)
Average Power	10 Watts (max)
Power Forward	10 Watts
Power Reverse	1 Watts
Package Size	0.75 x 0.75 x 0.50"

Environmental Notes



Microwave RF Components | Manteca, CAL | 1-209-825-3977 | rf.mrcy.com
 Specifications subject to change without notice

