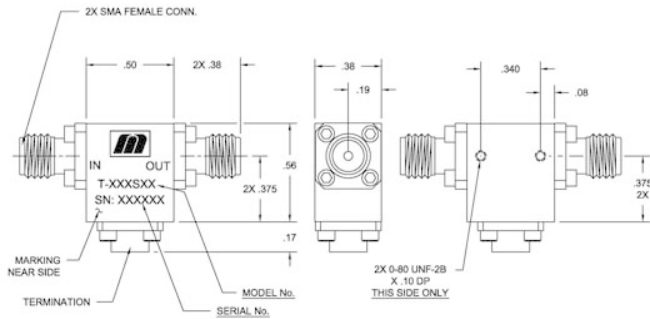


SPEC SHEET

T-115S06 15 GHz to 18 GHz

Communication Band Coaxial ISOLATORS & CIRCULATORS



Specifications

RF Frequency	15 GHz to 18 GHz
Isolation	22 dB (min)
Insertion Loss	0.4 dB (max)
VSWR	1.2:1
Peak Power	2 Watts (max)
Average Power	0.5 Watts (max)
Package Size	0.50 x 0.56 x 0.38"

Environmental Notes



Microwave RF Components | Manteca, CAL | 1-209-825-3977 | rf.mrcy.com
Specifications subject to change without notice

