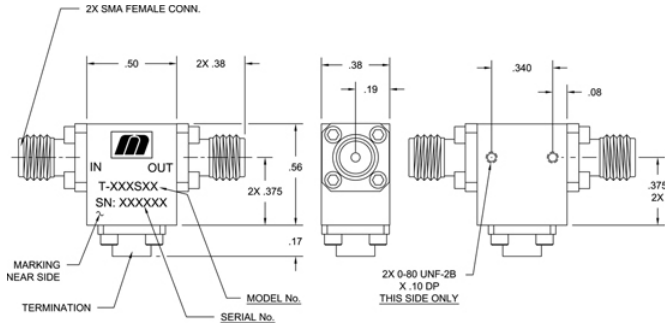


SPEC SHEET

T-208S10

8 GHz to 10 GHz

Communication Band Coaxial ISOLATORS & CIRCULATORS



Specifications

RF Frequency	8 GHz to 10 GHz
Isolation	20 dB (min)
Insertion Loss	0.4 dB (max)
VSWR	1.25:1
Peak Power	200 Watts (max)
Average Power	2 Watts (max)
Package Size	0.50 x 0.56 x 0.38"

Environmental

Operating Temperature	-40 to 85 °C
-----------------------	--------------

Notes



Microwave RF Components | Manteca, CAL | 1-209-825-3977 | rf.mrcy.com
 Specifications subject to change without notice