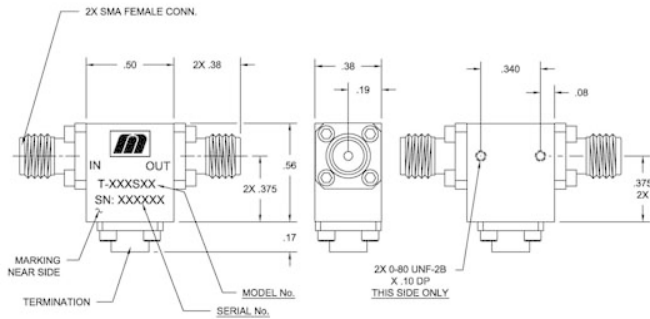


SPEC SHEET

T-318S01

18 GHz to 26.5 GHz

Broadband Coaxial ISOLATORS & CIRCULATORS



Specifications

RF Frequency	18 GHz to 26.5 GHz
Isolation	18 dB (min)
Insertion Loss	0.5 dB (max)
VSWR	1.25:1
Peak Power	2 Watts (max)
Average Power	0.5 Watts (max)
Package Size	0.50 x 0.56 x 0.38"

Environmental Notes



Microwave RF Components | Manteca, CAL | 1-209-825-3977 | rf.mrcy.com
 Specifications subject to change without notice

