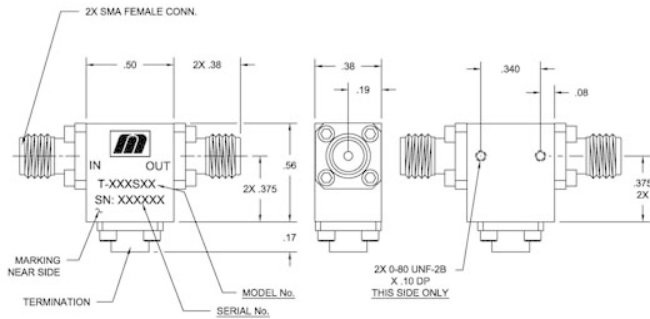


SPEC SHEET

T-608S03

8.25 GHz to 16 GHz

Broadband Coaxial ISOLATORS & CIRCULATORS



Specifications

RF Frequency	8.25 GHz to 16 GHz
Isolation	20 dB (min)
Insertion Loss	0.5 dB (max)
VSWR	1.25:1
Peak Power	50 Watts (max)
Average Power	5 Watts (max)
Package Size	0.50 x 0.56 x 0.38"

Environmental

Operating Temperature	-40 to 71 °C
-----------------------	--------------

Notes



Microwave RF Components | Manteca, CAL | 1-209-825-3977 | rf.mrcy.com
 Specifications subject to change without notice

