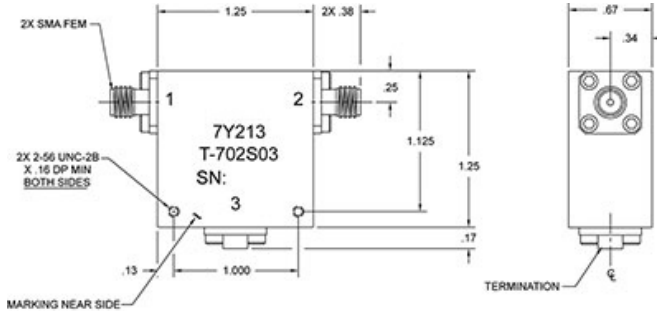


SPEC SHEET

T-702S03

2.5 GHz to 5.5 GHz

Broadband Coaxial ISOLATORS & CIRCULATORS



Specifications

RF Frequency	2.5 GHz to 5.5 GHz
Isolation	18 dB (min)
Insertion Loss	0.5 dB (max)
VSWR	1.25:1
Peak Power	100 Watts (max)
Average Power	10 Watts (max)
Package Size	1.25 x 1.25 x 0.67"

Environmental Notes



Microwave RF Components | Manteca, CAL | 1-209-825-3977 | rf.mrcy.com
 Specifications subject to change without notice

