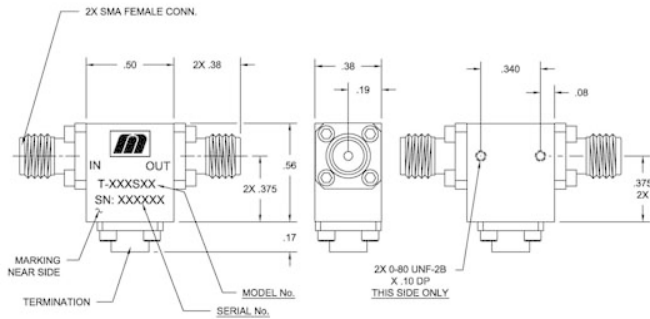


SPEC SHEET

# T-708S01

## 8 GHz to 18 GHz

Broadband Coaxial ISOLATORS & CIRCULATORS



### Specifications

RF Frequency	8 GHz to 18 GHz
Isolation	17 dB (min)
Insertion Loss	0.7 dB (max)
VSWR	1.4:1
Peak Power	10 Watts (max)
Average Power	1 Watts (max)
Package Size	0.50 x 0.56 x 0.38"

### Environmental

Operating Temperature	-54 to 85 °C
-----------------------	--------------

### Notes



Microwave RF Components | Manteca, CAL | 1-209-825-3977 | [rf.mrcy.com](http://rf.mrcy.com)  
 Specifications subject to change without notice

