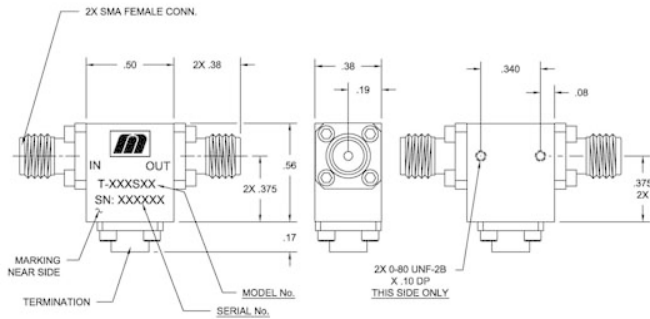


SPEC SHEET

T-808S01

8 GHz to 20 GHz

Broadband Coaxial ISOLATORS & CIRCULATORS



Specifications

RF Frequency	8 GHz to 20 GHz
Isolation	15 dB (min)
Insertion Loss	1 dB (max)
VSWR	1.45:1
Peak Power	10 Watts (max)
Average Power	1 Watts (max)
Package Size	0.50 x 0.56 x 0.38"

Environmental

Operating Temperature	-54 to 85 °C
-----------------------	--------------

Notes



Microwave RF Components | Manteca, CAL | 1-209-825-3977 | rf.mrcy.com
 Specifications subject to change without notice

