

**SPEC SHEET**  
**B21A**  
**2 to 8 GHz**  
 Triple Balanced Mixers

**Specifications**

RF Frequency	2 to 8 GHz
LO Frequency	2 to 8 GHz
LO Power	13 dBm typ

**Transfer Characteristics**

Conversion Loss	6.2 dB typ 9 dB max
IF Frequency	0.01 to 4 GHz
LO to RF Isolation	16 dB min 26 dB typ
LO to IF Isolation	21 dB min 28 dB typ
IP3 In	17 dBm typ
P1dB In	7 dBm typ

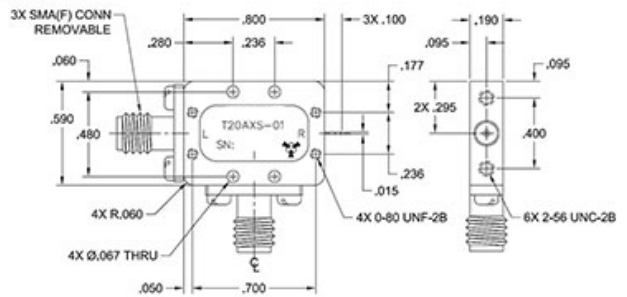
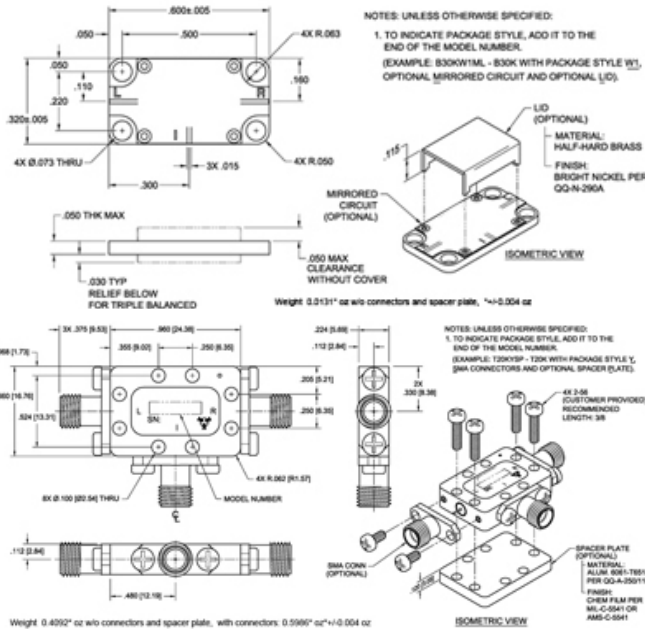


**Available Package Styles**

Available Package Styles

W1,X,Y

X PACKAGE



**Environmental Ratings**

Operating Temp -55 °C to 100 °C

**Notes**



Microwave RF Components | Manteca, CAL | 1-209-825-3977 | [rf.mrcy.com](http://rf.mrcy.com)  
Specifications subject to change without notice

[Request a Quote](#) | [Ask an Engineer](#)  