

SPEC SHEET

# B21K 2 to 8 GHz

Triple Balanced Mixers

## Specifications

RF Frequency	2 to 8 GHz
LO Frequency	2 to 8 GHz
LO Power	10 dBm typ

## Transfer Characteristics

Conversion Loss	6.2 dB typ 9 dB max
IF Frequency	0.01 to 4 GHz
LO to RF Isolation	16 dB min 26 dB typ
LO to IF Isolation	21 dB min 28 dB typ
IP3 In	14 dBm typ
P1dB In	4 dBm typ

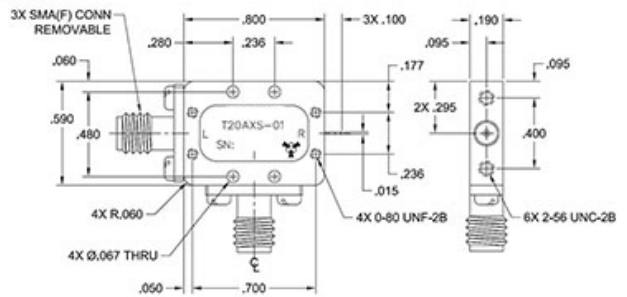
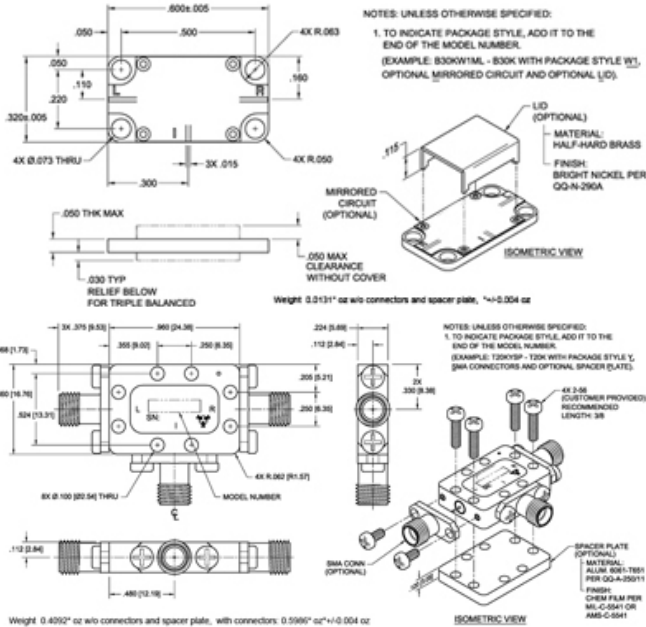


## Available Package Styles

Available Package Styles

W1,X,Y

X PACKAGE



## Environmental Ratings

Operating Temp -55 °C to 100 °C

## Notes



Microwave RF Components | Manteca, CAL | 1-209-825-3977 | [rf.mrcy.com](http://rf.mrcy.com)  
Specifications subject to change without notice

[Request a Quote](#) | [Ask an Engineer](#)  