

SPEC SHEET

B24A

2 to 12 GHz

Double Balanced Mixers

Specifications

RF Frequency	2 to 12 GHz
LO Frequency	2 to 12 GHz
LO Power	13 dBm typ

Transfer Characteristics

Conversion Loss	5.7 dB typ 8.5 dB max
IF Frequency	DC to 1.5 GHz
LO to RF Isolation	18 dB min 38 dB typ
LO to IF Isolation	18 dB min 35 dB typ
IP3 In	17 dBm typ
P1dB In	7 dBm typ

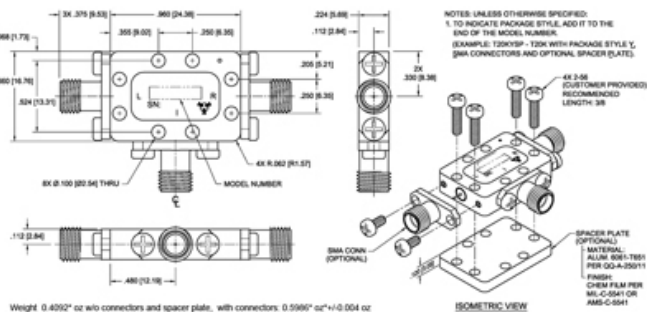
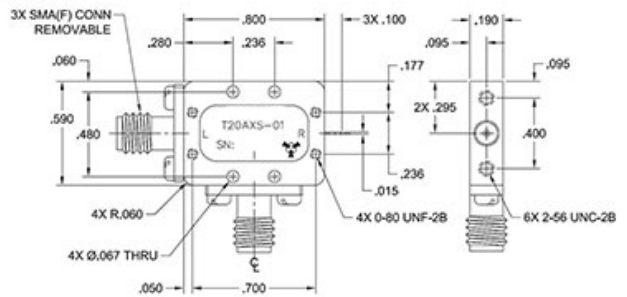
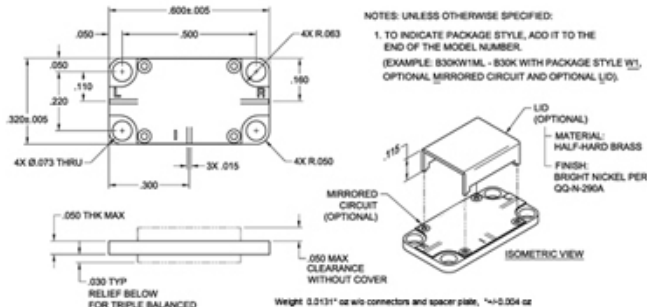


Available Package Styles

Available Package Styles

W1,X,Y

X PACKAGE



Environmental Ratings

Operating Temp -55 °C to 100 °C

Notes



Microwave RF Components | Manteca, CAL | 1-209-825-3977 | rf.mrcy.com
Specifications subject to change without notice

[Request a Quote](#) | [Ask an Engineer](#)  