

**SPEC SHEET**  
**B24H**  
**2 to 12 GHz**  
 Double Balanced Mixers

**Specifications**

RF Frequency	2 to 12 GHz
LO Frequency	2 to 12 GHz
LO Power	7 dBm typ

**Transfer Characteristics**

Conversion Loss	5.7 dB typ 8.5 dB max
IF Frequency	DC to 1.5 GHz
LO to RF Isolation	18 dB min 38 dB typ
LO to IF Isolation	18 dB min 35 dB typ
IP3 In	11 dBm typ
P1dB In	1 dBm typ

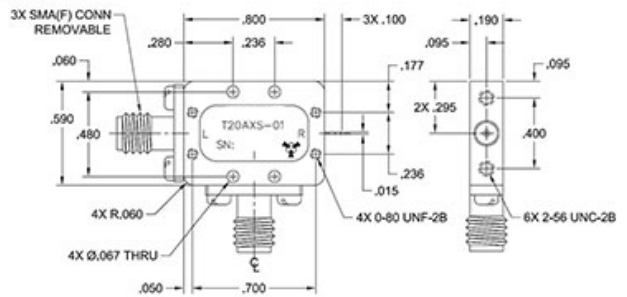
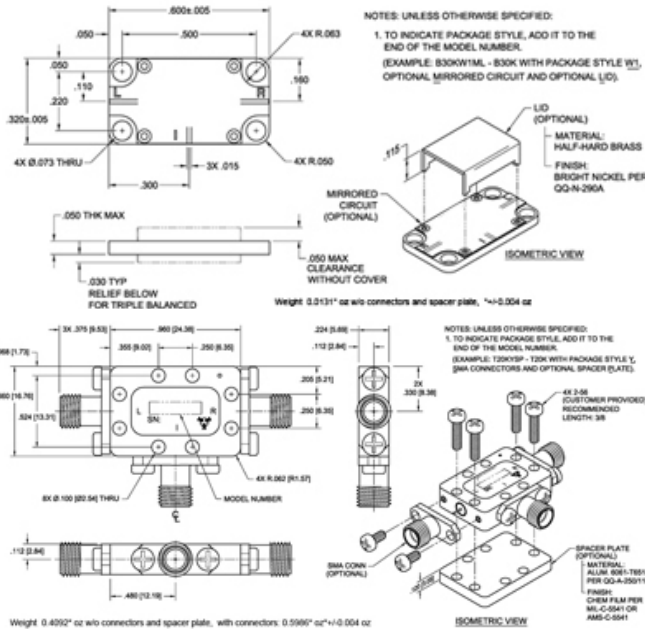


**Available Package Styles**

Available Package Styles

W1,X,Y

X PACKAGE



**Environmental Ratings**

**Notes**

Operating Temp -55 °C to 100 °C



Microwave RF Components | Manteca, CAL | 1-209-825-3977 | [rf.mrcy.com](http://rf.mrcy.com)  
Specifications subject to change without notice

[Request a Quote](#) | [Ask an Engineer](#)  