

SPEC SHEET

# B37A

## 3.7 to 8.6 GHz

### Double Balanced Mixers



## Specifications

RF Frequency	3.7 to 8.6 GHz
LO Frequency	3.7 to 8.6 GHz
LO Power	13 dBm typ

## Transfer Characteristics

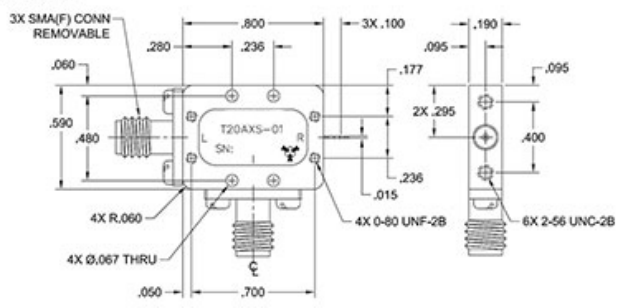
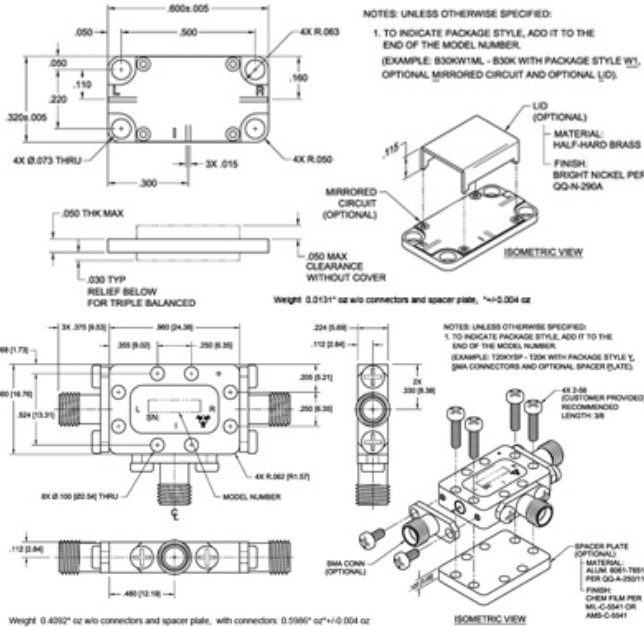
Conversion Loss	6 dB typ 7.5 dB max
IF Frequency	DC to 2 GHz
LO to RF Isolation	24 dB min 38 dB typ
LO to IF Isolation	20 dB min 30 dB typ
IP3 In	17 dBm typ
P1dB In	7 dBm typ

## Available Package Styles

Available Package Styles

W1,X,Y

X PACKAGE



## Environmental Ratings

Operating Temp -55 °C to 100 °C

## Notes



Microwave RF Components | Manteca, CAL | 1-209-825-3977 | [rf.mrcy.com](http://rf.mrcy.com)  
Specifications subject to change without notice

[Request a Quote](#) | [Ask an Engineer](#)  