

SPEC SHEET

# B61K

## 6 to 18 GHz

### Triple Balanced Mixers



## Specifications

|              |             |
|--------------|-------------|
| RF Frequency | 6 to 18 GHz |
| LO Frequency | 6 to 18 GHz |
| LO Power     | 10 dBm typ  |

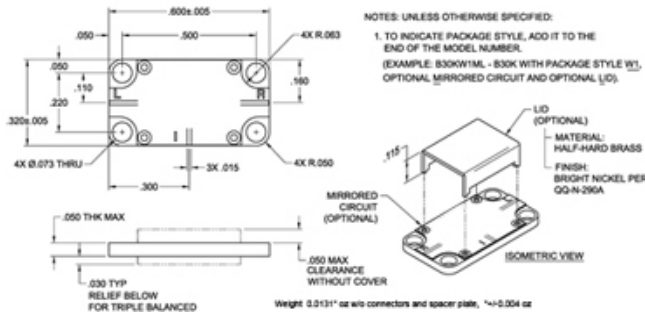
## Transfer Characteristics

|                    |                        |
|--------------------|------------------------|
| Conversion Loss    | 7 dB typ<br>8.5 dB max |
| IF Frequency       | 1.5 to 8 GHz           |
| LO to RF Isolation | 20 dB min<br>28 dB typ |
| LO to IF Isolation | 17 dB min<br>26 dB typ |
| IP3 In             | 14 dBm typ             |
| P1dB In            | 4 dBm typ              |

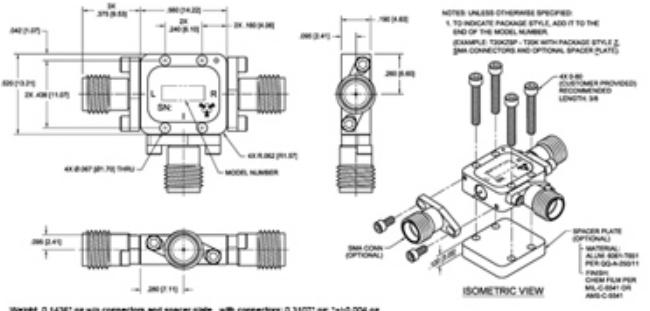
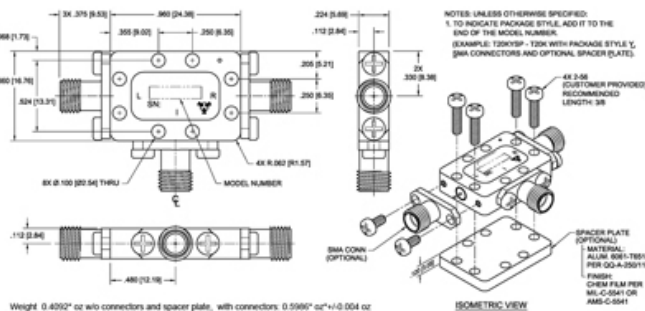
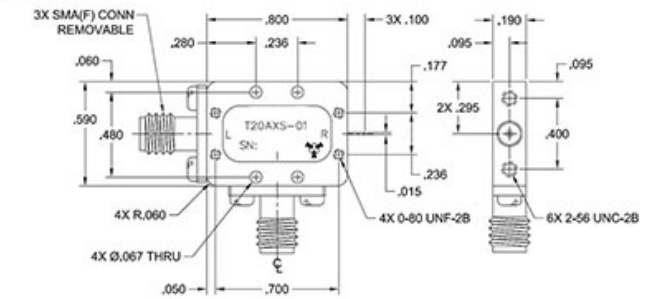
## Available Package Styles

Available Package Styles

W1,X,Y,Z



### X PACKAGE



## Environmental Ratings

Operating Temp -55 °C to 100 °C

## Notes



Microwave RF Components | Manteca, CAL | 1-209-825-3977 | [rf.mrcy.com](http://rf.mrcy.com)  
Specifications subject to change without notice

[Request a Quote](#) | [Ask an Engineer](#)  