

**SPEC SHEET**  
**F15K**  
**1.5 to 5 GHz**  
 Frequency Doublers

**Specifications**

RF Frequency	1.5 to 5 GHz
LO Frequency	3 to 10 GHz
LO Power	10 dBm min 13 dBm typ

**Transfer Characteristics**

Conversion Loss	10 dB typ 12 dB max
LO to RF Isolation	20 dB min 25 dB typ

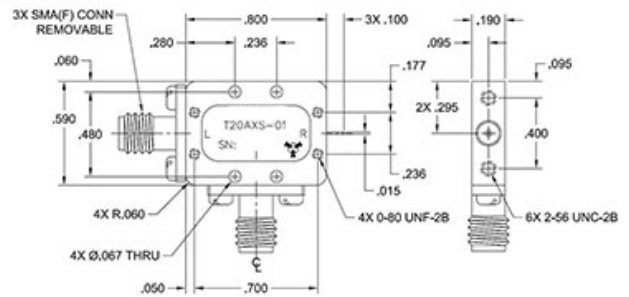
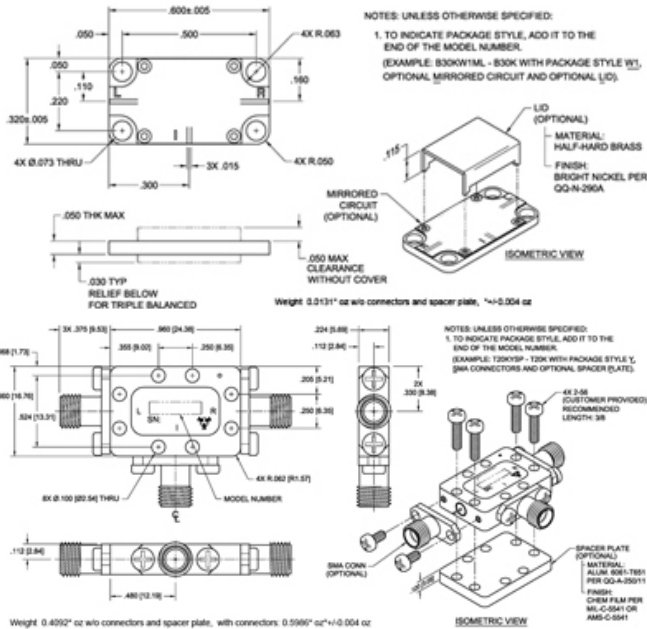


**Available Package Styles**

Available Package Styles

W1,X,Y

X PACKAGE



**Environmental Ratings**

Operating Temp -55 °C to 100 °C

**Notes**



Microwave RF Components | Manteca, CAL | 1-209-825-3977 | [rf.mrcy.com](http://rf.mrcy.com)  
Specifications subject to change without notice

[Request a Quote](#) | [Ask an Engineer](#)  