

SPEC SHEET

F15V

1.5 to 5 GHz

Frequency Doublers

Specifications

RF Frequency	1.5 to 5 GHz
LO Frequency	3 to 10 GHz
LO Power	16 dBm min 19 dBm typ

Transfer Characteristics

Conversion Loss	10 dB typ 12 dB max
LO to RF Isolation	20 dB min 25 dB typ

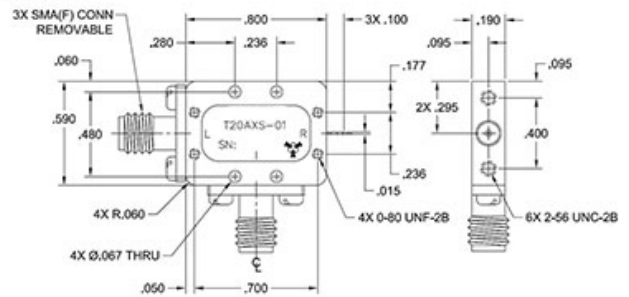
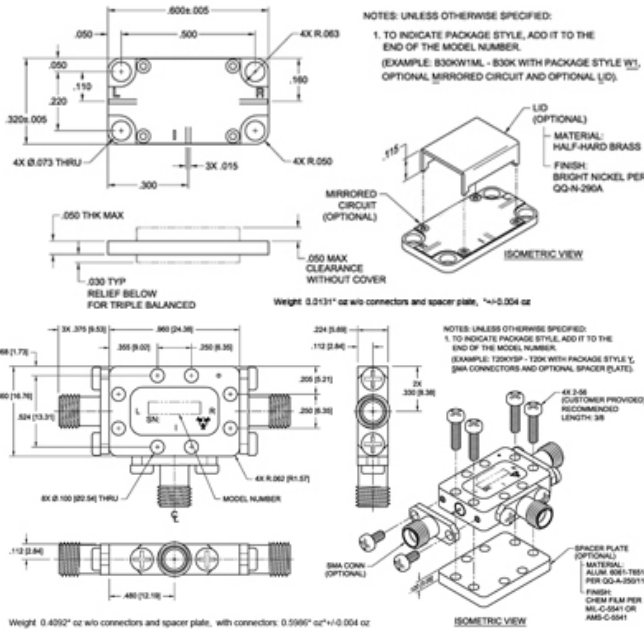


Available Package Styles

Available Package Styles

W1,X,Y

X PACKAGE



Environmental Ratings

Operating Temp -55 °C to 100 °C

Notes



Microwave RF Components | Manteca, CAL | 1-209-825-3977 | rf.mrcy.com
Specifications subject to change without notice

[Request a Quote](#) | [Ask an Engineer](#)  