

SPEC SHEET
F20K
2 to 6 GHz
 Frequency Doublers



Specifications

| | |
|--------------|--------------------------|
| RF Frequency | 2 to 6 GHz |
| LO Frequency | 4 to 12 GHz |
| LO Power | 10 dBm min 13 dBm typ |

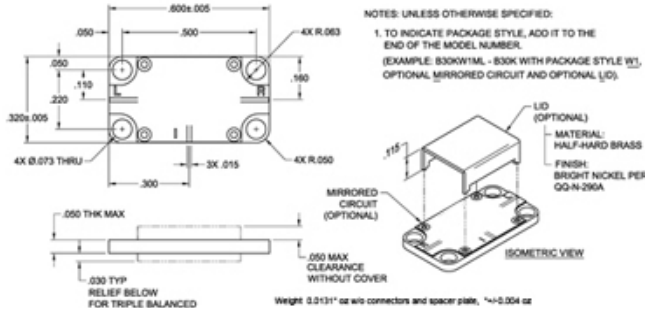
Transfer Characteristics

| | |
|--------------------|------------------------|
| Conversion Loss | 11 dB typ 13 dB max |
| LO to RF Isolation | 20 dB min 25 dB typ |

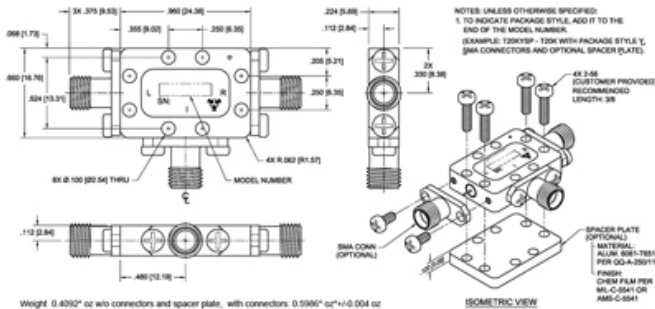
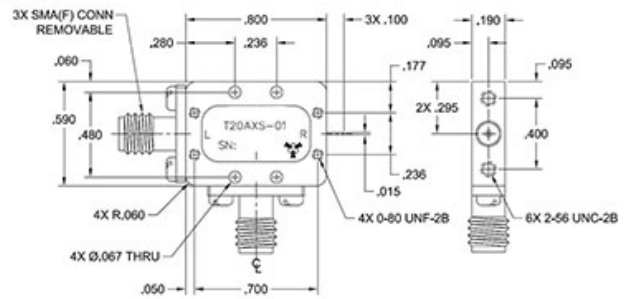
Available Package Styles

Available Package Styles

W1,X,Y



X PACKAGE



Environmental Ratings

Operating Temp -55 °C to 100 °C

Notes



Microwave RF Components | Manteca, CAL | 1-209-825-3977 | rf.mrcy.com
Specifications subject to change without notice

[Request a Quote](#) | [Ask an Engineer](#)  