

SPEC SHEET
F40V
4 to 9 GHz
 Frequency Doublers



Specifications

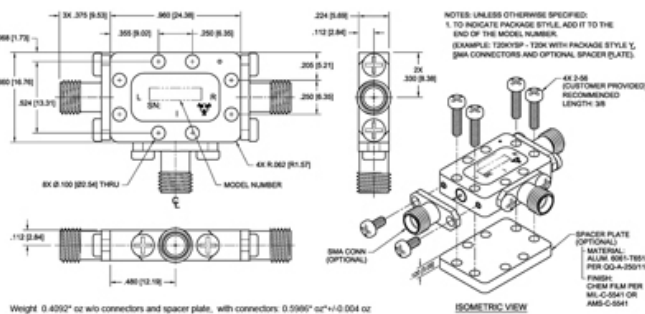
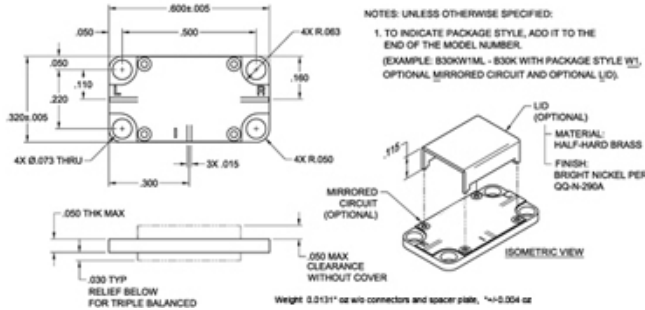
RF Frequency	4 to 9 GHz
RF VSWR	2.0:1
LO Frequency	8 to 18 GHz
LO Power	16 dBm min 19 dBm typ
LO VSWR	2.0:1

Transfer Characteristics

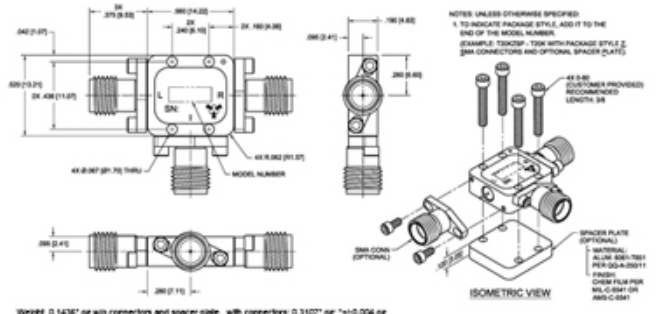
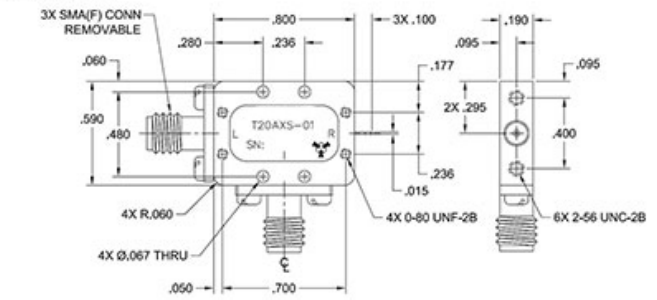
Conversion Loss	11 dB typ 13 dB max
LO to RF Isolation	20 dB min 25 dB typ

Available Package Styles

Available Package Styles MST313, SMXT313
 Surface Mount Available



X PACKAGE



Environmental Ratings

Operating Temp -54 °C to 100 °C

Notes



Microwave RF Components | Manteca, CAL | 1-209-825-3977 | rf.mrcy.com
Specifications subject to change without notice

[Request a Quote](#) | [Ask an Engineer](#)  