

SPEC SHEET
F90V
9 to 13 GHz
 Frequency Doublers



Specifications

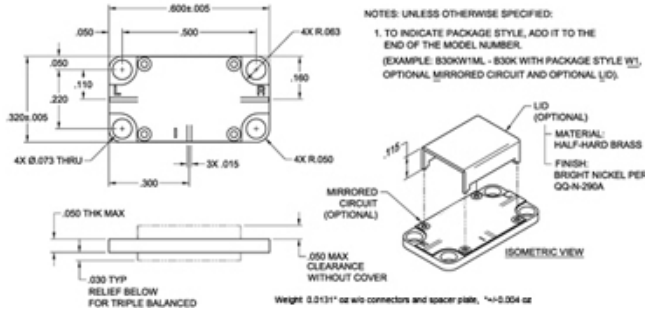
RF Frequency	9 to 13 GHz
LO Frequency	18 to 26 GHz
LO Power	16 dBm min 19 dBm typ

Transfer Characteristics

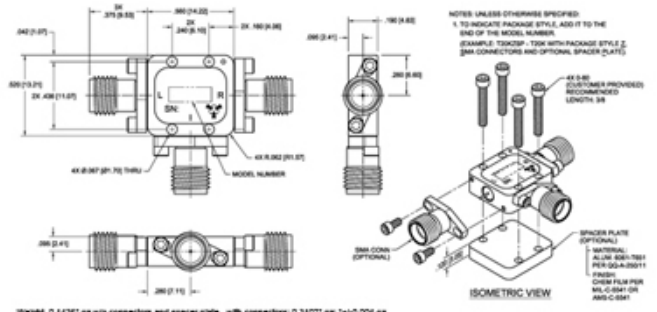
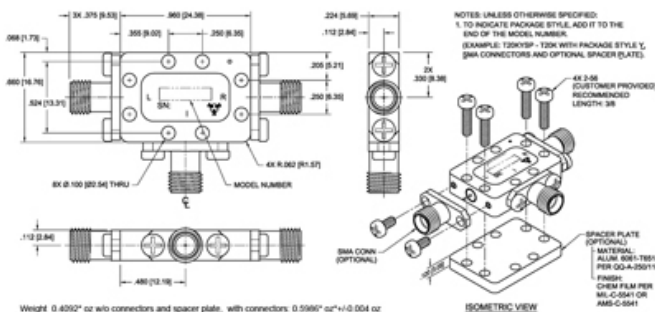
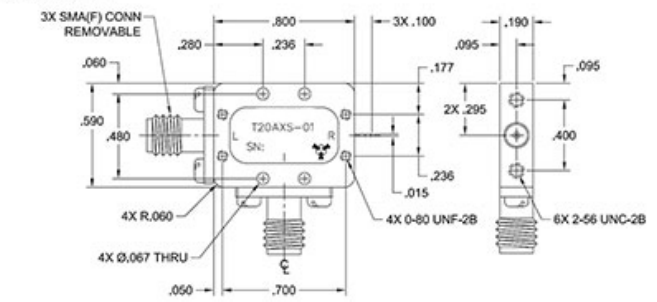
Conversion Loss	12 dB typ 14 dB max
LO to RF Isolation	20 dB min 25 dB typ

Available Package Styles

Available Package Styles MXT301, SMXT301
 Surface Mount Available



X PACKAGE



Environmental Ratings

Operating Temp -54 °C to 100 °C

Notes



Microwave RF Components | Manteca, CAL | 1-209-825-3977 | rf.mrcy.com
Specifications subject to change without notice

[Request a Quote](#) | [Ask an Engineer](#)  