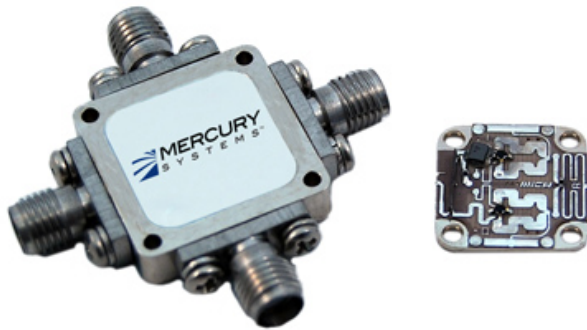


SPEC SHEET

# MIQ50A

## 5.6 to 9 GHz

IQ Mixers



### Specifications

RF Frequency	5.6 to 9 GHz
LO Frequency	5.6 to 9 GHz
LO Power	13 dBm typ

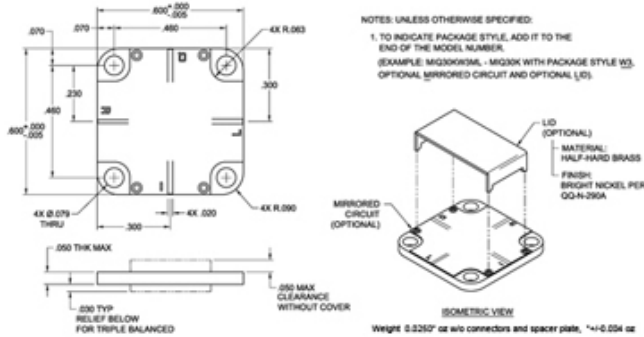
### Transfer Characteristics

Conversion Loss	5 dB typ 7 dB max
IF Frequency	DC to 0.5 GHz
LO to RF Isolation	25 dB min 31 dB typ
LO to IF Isolation	25 dB min 31 dB typ
IP3 In	17 dBm typ
P1dB In	8 dBm typ

### Available Package Styles

Available Package Styles

W3,X1



### Environmental Ratings

### Notes

