

SPEC SHEET
U20A
2 to 18 GHz
 Double Balanced Mixers

Specifications

RF Frequency	2 to 18 GHz
LO Frequency	2 to 18 GHz
LO Power	13 dBm typ

Transfer Characteristics

Conversion Loss	7.3 dB typ 8.5 dB max
IF Frequency	DC to 2 GHz
LO to RF Isolation	22 dB min 27 dB typ
LO to IF Isolation	15 dB min 22 dB typ
IP3 In	17 dBm typ
P1dB In	7 dBm typ

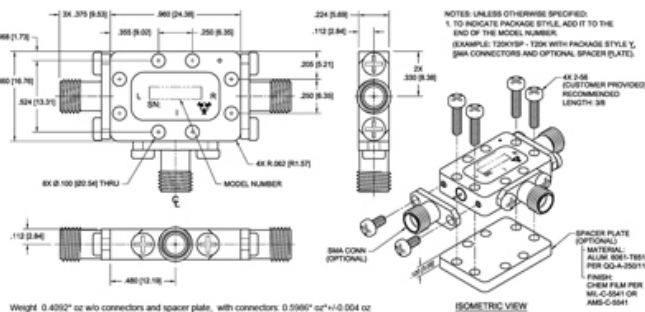
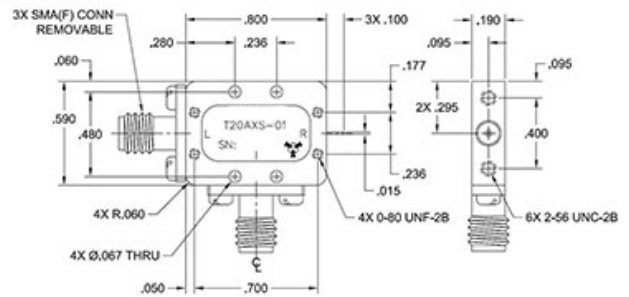
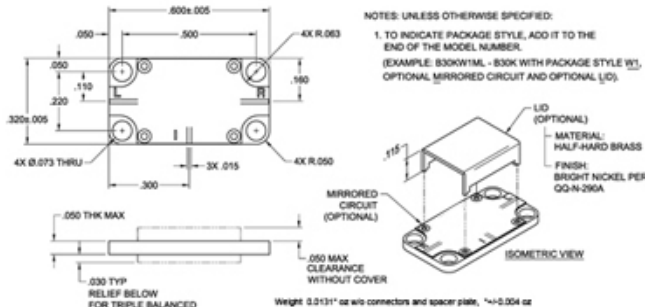


Available Package Styles

Available Package Styles

W1,X,Y

X PACKAGE



Environmental Ratings

Operating Temp -55 °C to 100 °C

Notes



Microwave RF Components | Manteca, CAL | 1-209-825-3977 | rf.mrcy.com
Specifications subject to change without notice

[Request a Quote](#) | [Ask an Engineer](#)  