

**SPEC SHEET**  
**U20V**  
**2 to 18 GHz**  
 Double Balanced Mixers

**Specifications**

RF Frequency	2 to 18 GHz
LO Frequency	2 to 18 GHz
LO Power	16 dBm typ

**Transfer Characteristics**

Conversion Loss	7.3 dB typ 8.5 dB max
IF Frequency	DC to 2 GHz
LO to RF Isolation	22 dB min 27 dB typ
LO to IF Isolation	15 dB min 22 dB typ
IP3 In	19 dBm typ
P1dB In	10 dBm typ

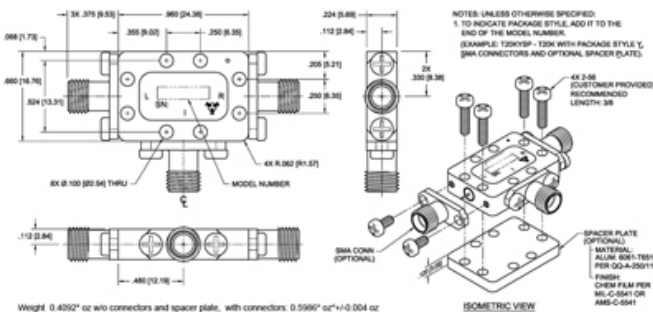
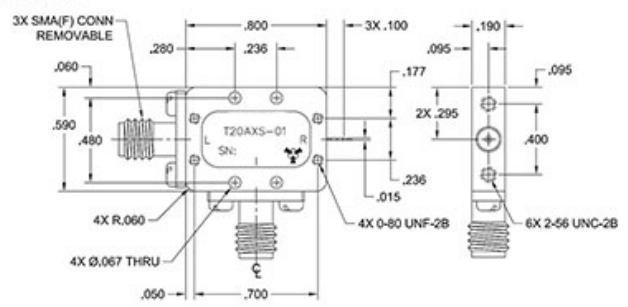
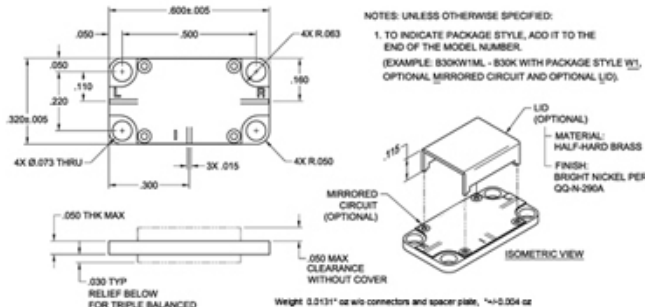


**Available Package Styles**

Available Package Styles

W1,X,Y

X PACKAGE



**Environmental Ratings**

Operating Temp -55 °C to 100 °C

**Notes**



Microwave RF Components | Manteca, CAL | 1-209-825-3977 | [rf.mrcy.com](http://rf.mrcy.com)  
Specifications subject to change without notice

[Request a Quote](#) | [Ask an Engineer](#)  