

SPEC SHEET
U21K
2 to 18 GHz
 Triple Balanced Mixers

Specifications

RF Frequency	2 to 18 GHz
LO Frequency	2 to 18 GHz
LO Power	10 dBm typ

Transfer Characteristics

Conversion Loss	7 dB typ 9 dB max
IF Frequency	0.01 to 4 GHz
LO to RF Isolation	16 dB min 25 dB typ
LO to IF Isolation	17 dB min 28 dB typ
IP3 In	13 dBm typ
P1dB In	4 dBm typ

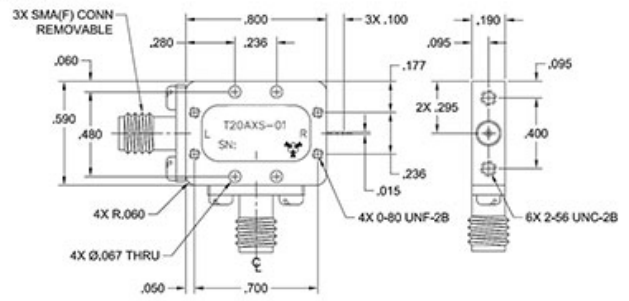
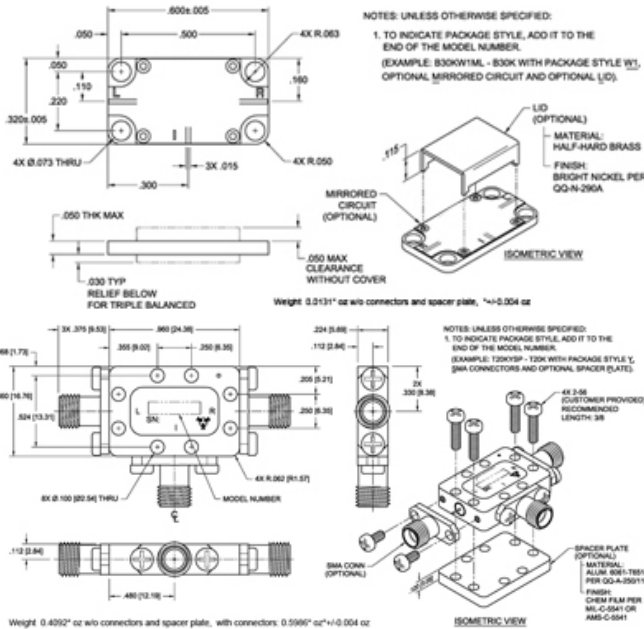


Available Package Styles

Available Package Styles

W1,X,Y

X PACKAGE



Environmental Ratings

Operating Temp -55 °C to 100 °C

Notes



Microwave RF Components | Manteca, CAL | 1-209-825-3977 | rf.mrcy.com
Specifications subject to change without notice

[Request a Quote](#) | [Ask an Engineer](#)  