

SPEC SHEET
U22K
2 to 18 GHz
 Triple Balanced Mixers

Specifications

| | |
|--------------|-------------|
| RF Frequency | 2 to 18 GHz |
| LO Frequency | 2 to 18 GHz |
| LO Power | 10 dBm typ |

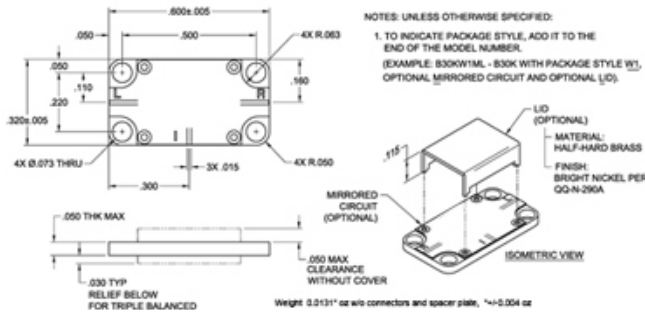
Transfer Characteristics

| | |
|--------------------|--------------------------|
| Conversion Loss | 6.8 dB typ 8.5 dB max |
| IF Frequency | 1.5 to 8 GHz |
| LO to RF Isolation | 16 dB min 28 dB typ |
| LO to IF Isolation | 16 dB min 26 dB typ |
| IP3 In | 13 dBm typ |
| P1dB In | 4 dBm typ |

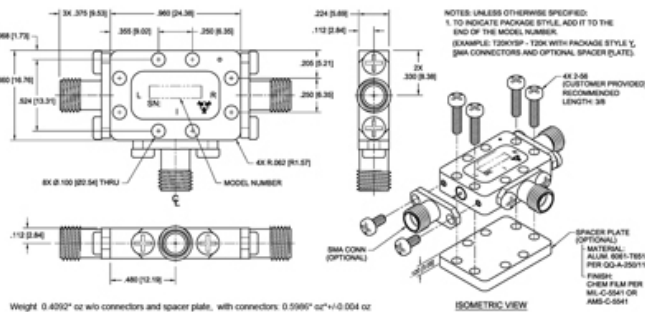
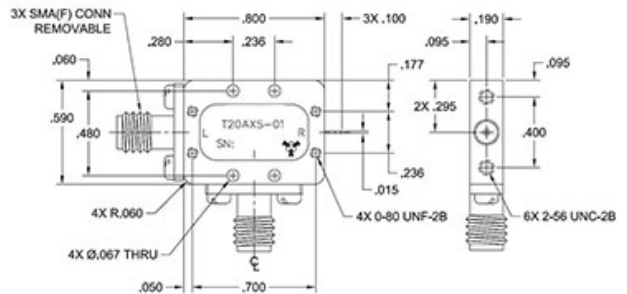
Available Package Styles

Available Package Styles

W1, X, Y



X PACKAGE



Environmental Notes Ratings

Operating Temp -55 °C to 100 °C



Microwave RF Components | Manteca, CAL | 1-209-825-3977 | rf.mrcy.com
Specifications subject to change without notice

[Request a Quote](#) | [Ask an Engineer](#)  