

**SPEC SHEET**  
**U22Q**  
**2 to 18 GHz**  
 Triple Balanced Mixers

**Specifications**

RF Frequency	2 to 18 GHz
LO Frequency	2 to 18 GHz
LO Power	19 dBm typ

**Transfer Characteristics**

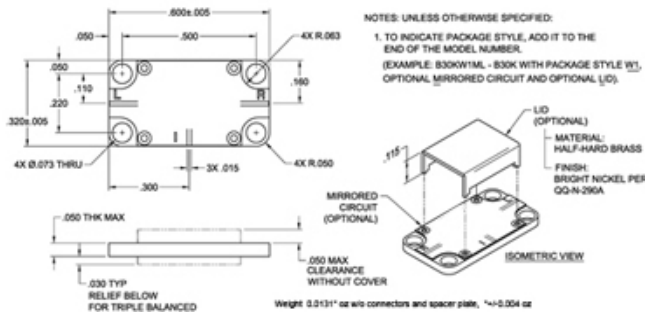
Conversion Loss	6.8 dB typ 8.5 dB max
IF Frequency	1.5 to 8 GHz
LO to RF Isolation	16 dB min 28 dB typ
LO to IF Isolation	16 dB min 26 dB typ
IP3 In	21 dBm typ
P1dB In	13 dBm typ



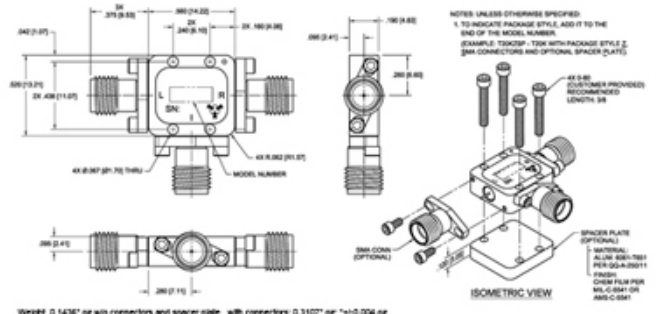
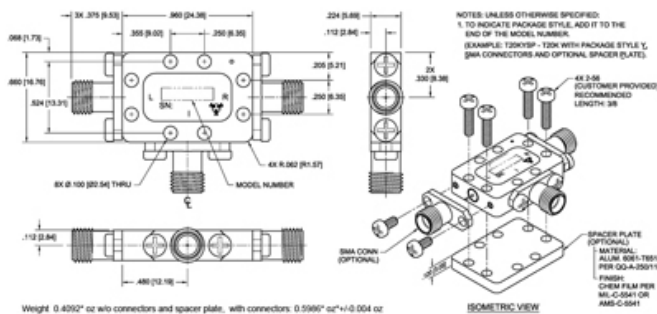
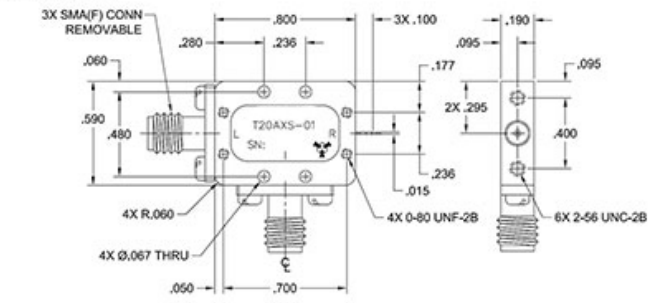
**Available Package Styles**

Available Package Styles

W1,X,Y,Z



**X PACKAGE**



**Environmental Ratings**

Operating Temp -55 °C to 100 °C

**Notes**



Microwave RF Components | Manteca, CAL | 1-209-825-3977 | [rf.mrcy.com](http://rf.mrcy.com)  
Specifications subject to change without notice

[Request a Quote](#) | [Ask an Engineer](#)  