

SPEC SHEET
U22V
2 to 18 GHz
 Triple Balanced Mixers

Specifications

| | |
|--------------|-------------|
| RF Frequency | 2 to 18 GHz |
| LO Frequency | 2 to 18 GHz |
| LO Power | 16 dBm typ |

Transfer Characteristics

| | |
|--------------------|--------------------------|
| Conversion Loss | 6.8 dB typ 8.5 dB max |
| IF Frequency | 1.5 to 8 GHz |
| LO to RF Isolation | 16 dB min 28 dB typ |
| LO to IF Isolation | 16 dB min 26 dB typ |
| IP3 In | 19 dBm typ |
| P1dB In | 10 dBm typ |

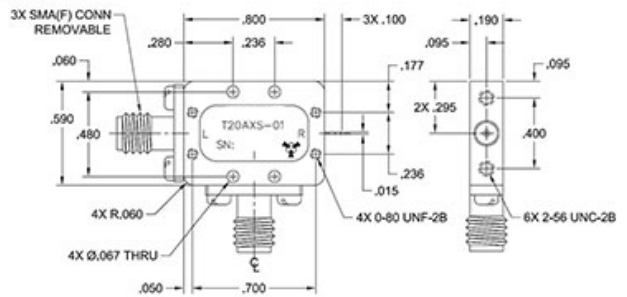
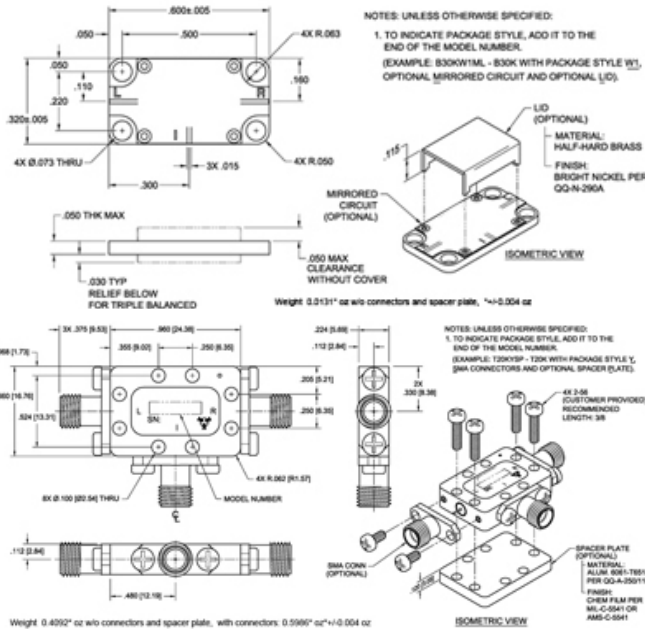


Available Package Styles

Available Package Styles

W1,X,Y

X PACKAGE



Environmental Ratings

Notes

Operating Temp -55 °C to 100 °C



Microwave RF Components | Manteca, CAL | 1-209-825-3977 | rf.mrcy.com
Specifications subject to change without notice

[Request a Quote](#) | [Ask an Engineer](#)  