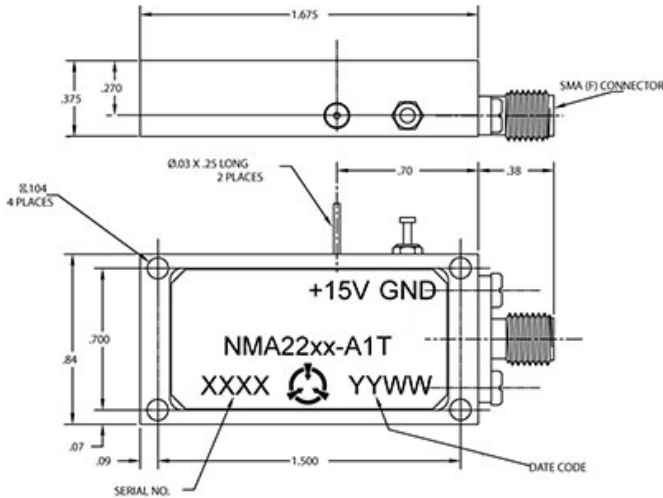


NMA2218-A1T

1 GHz to 18 GHz

Broadband Microwave Coaxial Noise Sources



Specifications

RF Frequency	1 GHz to 18 GHz
Noise Output	32 to 35 dB ENR
Noise Spectral Density (N_0)	-140.5 dBm/Hz Min
Flatness	2 dB P-P Max
VSWR	2.0:1 Max
Peak Factor	5:01
Bias Voltage	15 V
Supply Current	70 mA Max
Impedance	50 ohms

Package and Connectivity

Construction	Coaxial
Package Type	T Package
Connector Type	SMA(f)

Environmental

Operating Temperature	-40 to 85 °C
Storage Temperature	-55 to 125 °C

Notes

No TTL control



Microwave RF Components | Hudson, NH | (603) 546-4100 | rf.mrcy.com
 Specifications subject to change without notice

