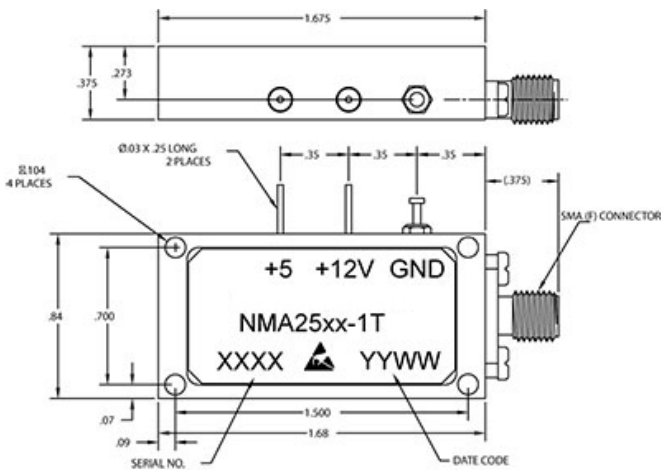


NMA2517-1T

2000 MHz to 8000 MHz

High Power Broadband Noise Sources



Specifications

RF Frequency	2000 MHz to 8000 MHz
Noise Output	74 dB Min ENR
Noise Spectral Density (N_0)	-100 dBm/Hz Min
Noise Power (N)	-2 dBm
Flatness	4 dB P-P Max
Peak Factor	5:01
Bias Voltage	5 and 12 V
Supply Current	5.0 +/- .1 v @ 300 mA Max 11.8 - 18v @ 25 mA Max
Impedance	50 ohms

Package and Connectivity

Construction	Coaxial
Package Type	T Package
Connector Type	SMA(F)

Environmental

Operating Temperature	-30 to 85 °C
Storage Temperature	-65 to 95 °C

Notes

No TTL Control



