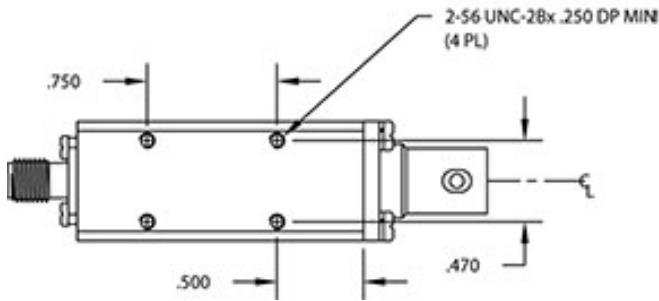
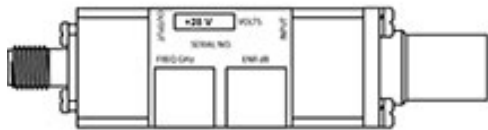
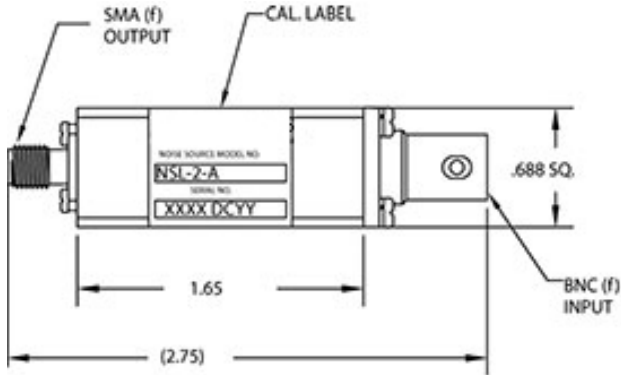


SPEC SHEET

NSL-2-A

1 MHz to 1000 MHz

Broadband Microwave Coaxial Noise Sources



Specifications

RF Frequency	1 MHz to 1000 MHz
Noise Output	29 - 31 dB ENR
Noise Spectral Density (N_0)	-144 dBm/Hz
Peak Factor	5:01
Bias Voltage	28 V
Supply Current	20 mA Max
Impedance	50 ohms

Package and Connectivity

Construction	Coaxial
Connector Type	SMA(F)

Environmental

Operating Temperature	-55 to 95 °C
Storage Temperature	-65 to 125 °C

Notes

