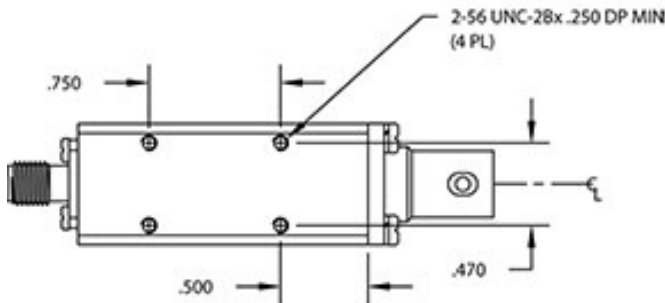
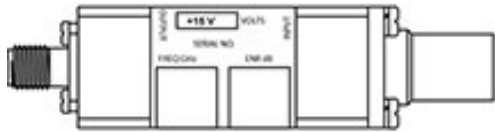
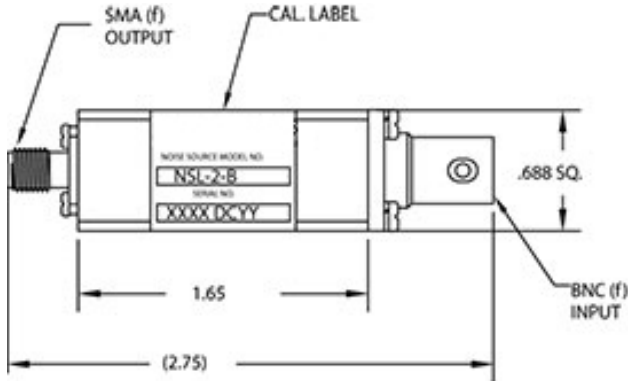


SPEC SHEET

# NSL-2-B

## 1 MHz to 1000 MHz

Broadband Microwave Coaxial Noise Sources



### Specifications

RF Frequency	1 MHz to 1000 MHz
Noise Output	29 - 31 dB ENR
Noise Spectral Density ( $N_0$ )	-144 dBm/Hz
Peak Factor	5:01
Bias Voltage	15 V
Supply Current	20 mA Max
Impedance	50 ohms

### Package and Connectivity

Construction	Coaxial
Connector Type	SMA(F)

### Environmental

Operating Temperature	-55 to 95 °C
Storage Temperature	-65 to 125 °C

### Notes

